

■ Description

This RGB LED has three internal LEDs (Red, Green, and Blue) and three internal resistors that can be combined to deliver almost any color output with wide operation voltage of DC 3-15V.

■ Features

- Wide Input Voltage
- Cost Saving and Space Saving
- White Diffused Type
- Three-color Common Anode Type

■ Applications

- Toys/Game/Audio
- TTL/Cmos Compatible
- Arduino/Pi Pico/Steam Kit
- Other electronics products

■ Absolute Maximum Rating (Ta=25°C)

Item	Symbol	Value	Unit
DC Forward Voltage	V _F	15	V
Reverse Voltage	V _R	12	V
Power Dissipation	P _D	190	mW
Operating Temperature	T _{opr}	-30 ~ +85	°C
Storage Temperature	T _{stg}	-40~ +100	°C
Lead Soldering Temperature	T _{sol}	260°C/5sec	-

■ Electrical -Optical Characteristics (Ta=25°C)

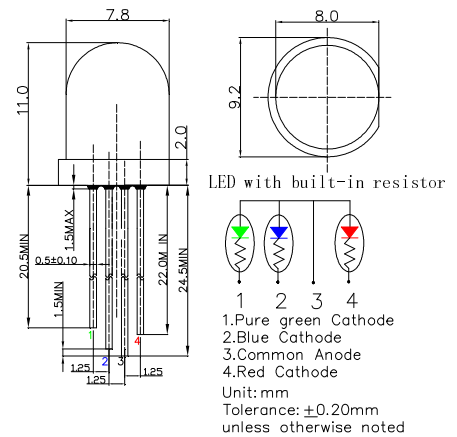
Item	Symbol	Condition	Min.	Typ.	Max.	Unit
DC Forward Current*1	I _F (Red)	V _F =9V	-	7.5	-	mA
	I _F (Green)		-	8.0	-	mA
	I _F (Blue)		-	8.0	-	mA
Domi. Wavelength*2	λ _D (Red)		620	625	630	nm
	λ _D (Green)		520	525	530	nm
	λ _D (Blue)		465	470	475	nm
Luminous Intensity*3	I _v (Red)		-	150	-	mcd
	I _v (Green)		-	100	-	mcd
	I _v (Blue)		-	400	-	mcd
50% Power Angle	2θ _{1/2}	-	60	-	deg	

*1 Tolerance of measurements of forward current ±1mA

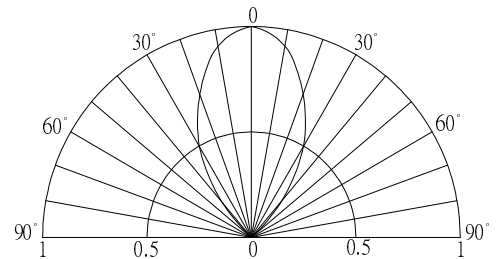
*2 Tolerance of measurements of dominant wavelength is ±1nm

*3 Tolerance of measurements of luminous intensity is ±15%

■ Outline Dimension



■ Directivity



■ Optical Characteristic Curves

