

■ **Features**

- High Luminous LEDs
- 5mm Round Standard Directivity
- UV Resistant Epoxy
- Water Clear Body with Milky Lens

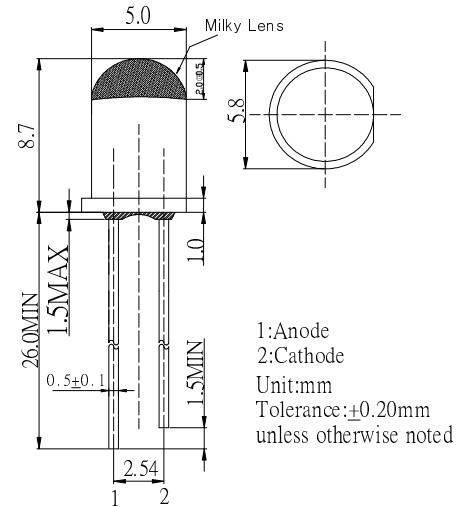
■ **Applications**

- Electronic Signs And Signals
- Small Area Illuminations
- Back Lighting
- Other Lighting

■ **Photo**



■ **Outline Dimension**

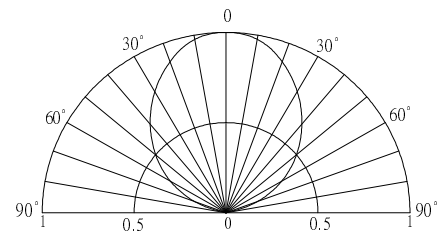


■ **Absolute Maximum Rating**

(Ta=25°C)

Item	Symbol	Value		Unit
		W/M/BL/PG	Y/O/R	
DC Forward Current	I _F	30	30	mA
Pulse Forward Current#	I _{FP}	100	100	mA
Reverse Voltage	V _R	5	5	V
Power Dissipation	P _D	102	78	mW
Operating Temperature	T _{opr}	-30 ~ +85		°C
Storage Temperature	T _{stg}	-40~ +100		°C
Lead Soldering Temperature	T _{sol}	260°C/5sec		-

■ **Directivity**



#Pulse width Max.10ms Duty ratio max 1/10

■ **Electrical -Optical Characteristics**

(Ta=25°C)

Part Number	Color		V _F (V)			I _R (μA)	I _v (mcd)			CCT(K)/Wd(nm)*			2θ1/2(deg)
			Min.	Typ.	Max.	Max.	Min.	Typ.	Max.	Min.	Typ.	Max.	Typ.
			I _F =20mA			V _R =5V		I _F =20mA					
OSW5DK51A5A	White	W	-	2.9	3.4	10	4200	5800	-	8500-18000K(X:0.27,Y:0.28)			100
OSM5DK51A5A	Warm White	M	-	2.9	3.4	10	3000	4200	-	2700-3200K(X:0.44,Y:0.41)			100
OSB5SA51A5A	Blue	BL	-	2.9	3.4	10	1560	2180	-	465	470	475	100
OSG5DA51A5A	Pure Green	PG	-	2.9	3.4	10	2180	3000	-	520	525	530	100
OS5YEA51A5A	Yellow	Y	-	2.1	2.6	10	2180	3000	-	585	590	595	100
OS5OPM51A5A	Orange	O	-	2.1	2.6	10	2180	3000	-	600	605	610	100
OS5REA51A5A	Red	R	-	2.1	2.6	10	2180	3000	-	620	625	630	100

*1 Tolerance of measurements of chromaticity coordinate is ±10%

*2 Tolerance of measurements of dominant wavelength is ±1nm

*3 Tolerance of measurements of luminous intensity is ±15%

*4 Tolerance of measurements of forward voltage is ±0.1V