

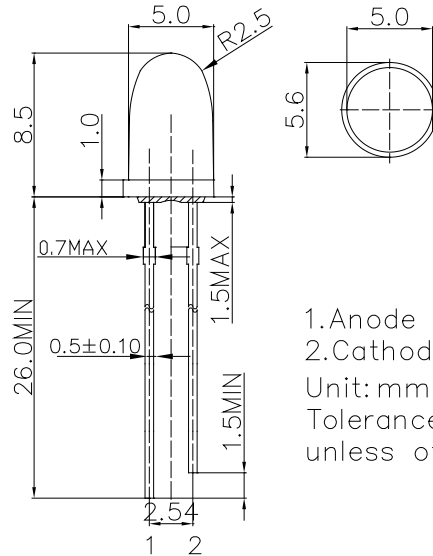
■Features

- High Radiant Power LEDs
- 5mm Bullet Standard Directivity
- UV Resistant Epoxy
- Water Clear Type

■Applications

- IrDA
- Encoder
- Data Communication
- IR camera

■Outline Dimension



1. Anode
2. Cathode
Unit: mm
Tolerance: ±0.20mm
unless otherwise noted

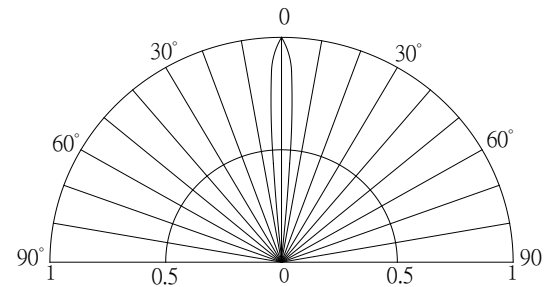
■Absolute Maximum Rating

(Ta=25°C)

Item	Symbol	Value	Unit
DC Forward Current	I _F	100	mA
Pulse Forward Current#	I _{FP}	1000	mA
Reverse Voltage	V _R	5	V
Power Dissipation	P _D	160	mW
Operating Temperature	T _{opr}	-30 ~ +85	°C
Storage Temperature	T _{stg}	-40 ~ +100	°C
Lead Soldering Temperature	T _{sol}	260°C/5sec	-

#Pulse width Max.10ms Duty ratio max 1/10

■Directivity



■Electrical –Optical Characteristics

(Ta=25°C)

Item	Symbol	Condition	Min.	Typ.	Max	Unit
DC Forward Voltage*1	V _F	I _F =50mA	-	1.3	1.6	V
DC Reverse Current	I _R	V _R =5V	-	-	10	μA
Peak Wavelength*2	λ _p	I _F =50mA	-	940	-	nm
Radiant Power*3	P _O	I _F =50mA	-	20	-	mW
Radiant Intensity*4	E _e	I _F =50mA	60	70	-	mW/Sr
50% Power Angle	2θ _{1/2}	I _F =50mA	-	8	-	deg

*1 Tolerance of measurements of forward voltage is ±0.1V

*2 Tolerance of measurements of peak wavelength is +1nm

*3 Tolerance of measurements of Radiant Power is ±15%

*4 Tolerance of measurements of radiant intensity is ±15%