

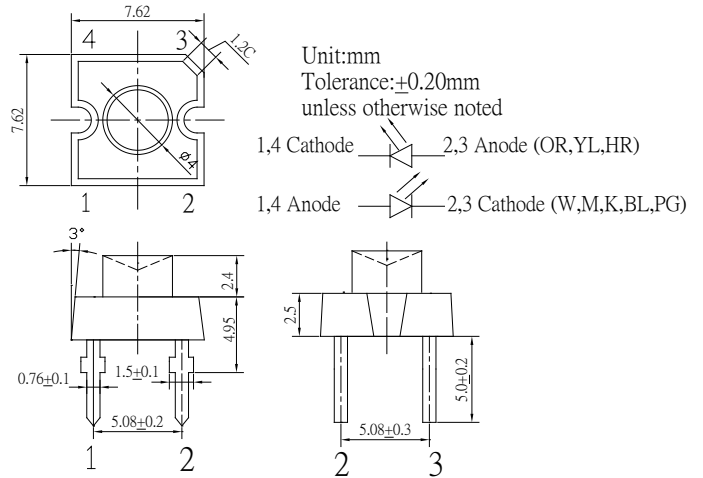
■Features

- High Luminous Super Flux Output
- 4 ø Concave Standard Directivity
- UV Resistant Epoxy
- Water Clear Type

■Applications

- Traffic signal, portable light source
- Automotive lighting
- Decoration and entertainment lighting
- Architectural lighting
- Other lighting

■Outline Dimension



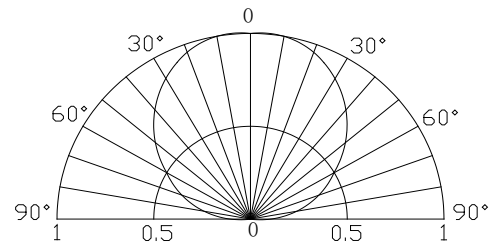
■Absolute Maximum Rating

(Ta=25°C)

Item	Symbol	Value		Unit
		W/M/B/PG	Y/O/R	
DC Forward Current	I _F	80	80	mA
Pulse Forward Current#	I _{FP}	120	120	mA
Reverse Voltage	V _R	5	5	V
Power Dissipation	P _D	288	224	mW
Operating Temperature	Topr	-30 ~ +85		°C
Storage Temperature	Tstg	-40 ~ +100		°C
Lead Soldering Temperature	Tsol	260°C/5sec		-

#Pulse width Max.10ms Duty ratio max 1/10

■Directivity



■Electrical -Optical Characteristics

(Ta=25°C)

Part Number	Color			V _F (V)			I _R (μA)	Φ _v (LM)			I _v (mcd)			Wd(nm)/CCT(K)			2θ1/2(deg)
				Min.	Typ.	Max.	Max.	Min.	Typ.	Max.	Min.	Typ.	Max.	Min.	Typ.	Max.	Typ.
				I _F =75mA			V _R =5V			I _F =75mA							
OSW47LZJC1P	Pure White	W	-	3.2	3.6	10	18	20	-	5800	7000	-	5500-8500K(X:0.31,Y:0.34)			120	
OSM57LZJC1P	Warm White	M	■	3.2	3.6	10	17	19	-	4200	5800	-	2700-3200K(X:0.44,Y:0.41)			120	
OSB56LZJC1P	Blue	B	■	3.3	3.6	10	4	5	-	1560	2180	-	465	470	475	120	
OSG59LZJC1P	Pure Green	PG	■	3.3	3.6	10	18	20	-	5800	7000	-	520	525	530	120	
OS5YKAZJC1P	Yellow	Y	■	2.4	2.8	10	8	10	-	3000	4200	-	585	590	595	120	
OS5OKAZJC1P	Orange	O	■	2.4	2.8	10	8	10	-	3000	4200	-	600	605	610	120	
OS5RKAZJC1P	Red	R	■	2.4	2.8	10	8	10	-	3000	4200	-	620	625	630	120	

*1 Tolerance of measurements of chromaticity coordinate is ±10%
 *2 Tolerance of measurements of color temperature is ±10%
 *3 Tolerance of measurements of dominant wavelength is ±1nm
 *4 Tolerance of measurements of luminous flux is ±15%
 *5 Tolerance of measurements of forward voltage is ±0.1V