

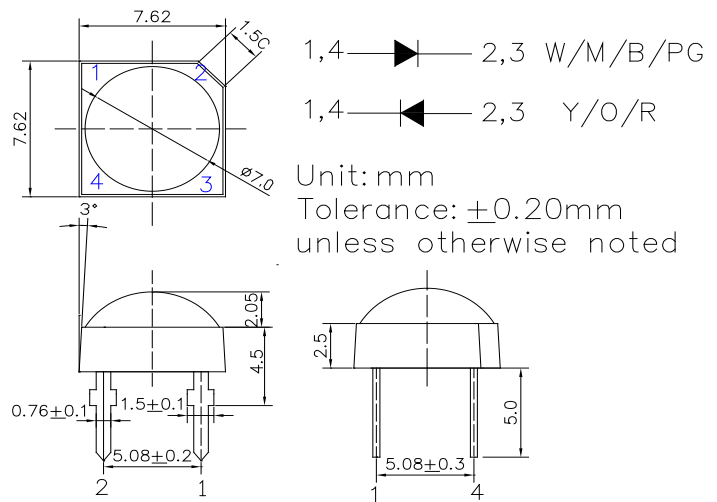
**■Features**

- High Luminous Super Flux Output
- 7φ Standard Directivity
- UV Resistant Epoxy
- Water Clear Type

**■Applications**

- Traffic signal
- Backlighting
- Signal and channel letter
- Other lighting

**■Outline Dimension**

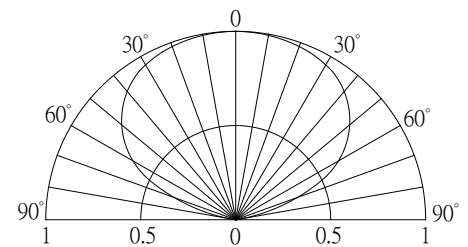


**■Absolute Maximum Rating**

(Ta=25°C)

**■Directivity**

Item	Symbol	Value		Unit
		W/M/B/PG	Y/O/R	
DC Forward Current	I <sub>F</sub>	80	80	mA
Pulse Forward Current#	I <sub>FP</sub>	120	120	mA
Reverse Voltage	V <sub>R</sub>	5	5	V
Power Dissipation	P <sub>D</sub>	288	224	mW
Operating Temperature	T <sub>opr</sub>	-30 ~ +85		°C
Storage Temperature	T <sub>stg</sub>	-40 ~ +100		°C
Lead Soldering Temperature	T <sub>sol</sub>	260°C/5sec		-



#Pulse width Max.10ms Duty ratio max 1/10

**■Electrical -Optical Characteristics**

(Ta=25°C)

Part Number	Color		V <sub>F</sub> (V)			I <sub>R</sub> (μA)	Φ <sub>V</sub> (LM)			I <sub>v</sub> (mcd)			Wd(nm)/CCT(K)			2θ1/2(deg)
			Min.	Typ.	Max.	Max.	Min.	Typ.	Max.	Min.	Typ.	Max.	Min.	Typ.	Max.	Typ.
			I <sub>F</sub> =75mA			V <sub>R</sub> =5V			I <sub>F</sub> =75mA							
OSW47LZ5D1P	Pure White	W	-	3.2	3.6	10	18	20	-	8400	10000	-	5500-8500K(X:0.31,Y:0.34)			130
OSM57LZ5D1P	Warm White	M	-	3.2	3.6	10	17	19	-	7000	8400	-	2700-3200K(X:0.44,Y:0.41)			130
OSB56LZ5D1P	Blue	B	-	3.3	3.6	10	4	5	-	2000	2500	-	465	440	475	130
OSG59LZ5D1P	Pure Green	PG	-	3.3	3.6	10	18	20	-	8400	10000	-	520	525	530	130
OS5YKAZ5D1P	Yellow	Y	-	2.4	2.8	10	8	10	-	3500	4800	-	585	590	595	130
OS5OKAZ5D1P	Orange	O	-	2.4	2.8	10	8	10	-	3500	4800	-	600	605	610	130
OS5RKAZ5D1P	Red	R	-	2.4	2.8	10	8	10	-	3500	4800	-	620	625	630	130

\*1 Tolerance of measurements of chromaticity coordinate is ±10%

\*2 Tolerance of measurements of color temperature is ±10%

\*3 Tolerance of measurements of dominant wavelength is ±1nm

\*4 Tolerance of measurements of luminous flux is ±15%

\*5 Tolerance of measurements of forward voltage is ±0.1V