

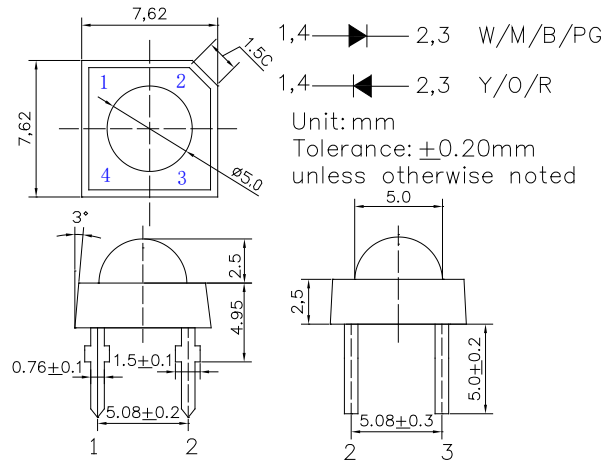
■Features

- High Luminous Super Flux Output
- 5 ∅ Standard Directivity
- UV Resistant Epoxy
- Water Clear Type

■Applications

- Traffic signal
- Backlighting
- Signal and channel letter
- Other Lighting

■Outline Dimension

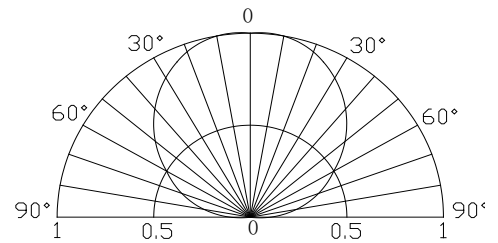


■Absolute Maximum Rating

(Ta=25°C)

Item	Symbol	Value		Unit
		W/M/B/PG	Y/O/R	
DC Forward Current	I _F	80	80	mA
Pulse Forward Current#	I _{FP}	120	120	mA
Reverse Voltage	V _R	5	5	V
Power Dissipation	P _D	288	224	mW
Operating Temperature	T _{opr}	-30 ~ +85		°C
Storage Temperature	T _{stg}	-40 ~ +100		°C
Lead Soldering Temperature	T _{sol}	260°C/5sec		-

■Directivity



#Pulse width Max.10ms Duty ratio max 1/10

■Electrical -Optical Characteristics

(Ta=25°C)

Part Number	Color		V _F (V)			I _R (μA)	Φ _v (LM)			I _v (mcd)			Wd(nm)/CCT(K)			2θ1/2(deg)
			Min.	Typ.	Max.	Max.	Min.	Typ.	Max.	Min.	Typ.	Max.	Min.	Typ.	Max.	Typ.
			I _F =75mA			V _R =5V			I _F =75mA							
OSW47LZ2C1P	Pure White	W	-	3.2	3.6	10	18	20	-	10000	12000	-	5500-8500K(X:0.31,Y:0.34)			120
OSM57LZ2C1P	Warm White	M	-	3.2	3.6	10	17	19	-	8400	10000	-	2700-3200K(X:0.44,Y:0.41)			120
OSB56LZ2C1P	Blue	B	-	3.3	3.6	10	4	5	-	4200	5800	-	465	470	475	120
OSG59LZ2C1P	Pure Green	PG	-	3.3	3.6	10	18	20	-	10000	12000	-	520	525	530	120
OS5YKAZ2C1P	Yellow	Y	-	2.4	2.8	10	8	10	-	8400	10000	-	585	590	595	120
OS5OKAZ2C1P	Orange	O	-	2.4	2.8	10	8	10	-	8400	10000	-	600	605	610	120
OS5RKAZ2C1P	Red	R	-	2.4	2.8	10	8	10	-	8400	10000	-	620	625	630	120

*1 Tolerance of measurements of chromaticity coordinate is ±10%

*2 Tolerance of measurements of color temperature is ±10%

*3 Tolerance of measurements of dominant wavelength is ±1nm

*4 Tolerance of measurements of luminous flux is ±15%

*5 Tolerance of measurements of forward voltage is ±0.1V