

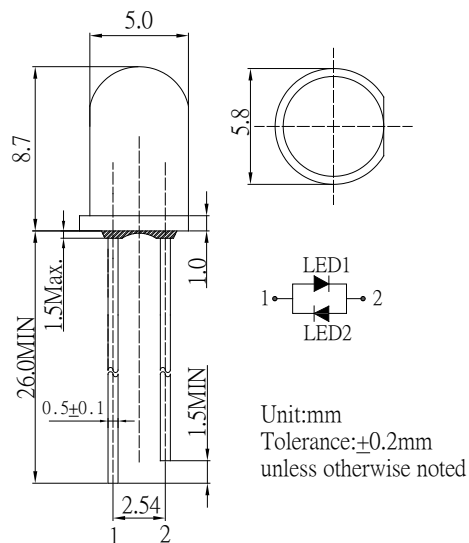
■Features

- High Luminous Intensity
- 5mm Round Standard Directivity
- Long Lifetime Operation
- UV Resistant Epoxy
- Water Clear Type

■Applications

- General Purpose Indicators
- Decorations
- Toys & Games
- General Use

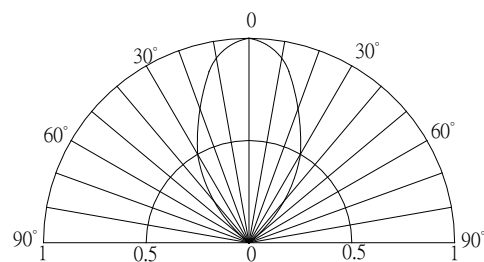
■Outline Dimension



■Absolute Maximum Rating (Ta=25°C)

Item	Symbol	Value		Unit
		W/M/BL/PG	Y/O/R	
DC Forward Current	I _F	30	30	mA
Pulse Forward Current#	I _{FP}	100	100	mA
Reverse Voltage	V _R	5	5	V
Power Dissipation	P _D	102	78	mW
Operating Temperature	T _{opr}	-30 ~ +85		°C
Storage Temperature	T _{stg}	-40 ~ +100		°C
Lead Soldering Temperature	T _{sol}	260°C/5sec		-

■Directivity



#Pulse width Max.10ms Duty ratio max 1/10

■Electrical -Optical Characteristics (Ta=25°C)

Part Number	Color		V _F (V)*			I _R (μA)	I _v (mcd)*			Wd (nm)*			2θ1/2(deg)
			Min.	Typ.	Max.	Max.	Min.	Typ.	Max.	Min.	Typ.	Max.	Typ.
			I _F =20mA			V _R =5V	I _F =20mA						
OSWWD25B61A	Cool White	W	-	2.9	3.4	10	4200	5800	-	CCT:8000-18000K			60
OSMMD25B61A	Warm White	M	-	2.9	3.4	10	4200	5800	-	CCT:2700-3300K			60
OSBBS25B61A	Blue	BL	-	2.9	3.4	10	1560	2180	-	465	470	475	60
OSPPD25B61A	Pure Green	PG	-	2.9	3.4	10	4200	5800	-	520	525	530	60
OSYYP25B61A	Yellow	Y	-	2.1	2.6	10	2180	3000	-	585	590	595	60
OSOOP25B61A	Orange	O	-	2.1	2.6	10	2180	3000	-	600	605	610	60
OSRRP25B61A	Red	R	-	2.1	2.6	10	2180	3000	-	620	625	630	60

*1 Tolerance of measurements of chromaticity coordinate is ±10%

*2 Tolerance of measurements of dominant wavelength is ±1nm

*3 Tolerance of measurements of luminous intensity is ±15%

*4 Tolerance of measurements of forward voltage is ±0.1V