

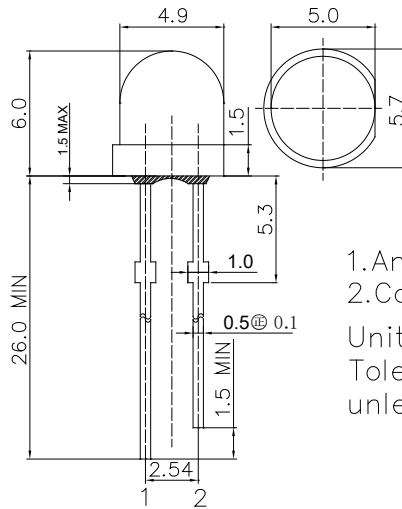
■Features

- High Luminous LEDs
- 5mm Standard Directivity
- Long Lifetime Operation
- UV Resistant Epoxy
- Color Transparent Type

■Applications

- Background illumination
- Communications equipment
- Low power DC circuits
- General lighting purposes

■Outline Dimension



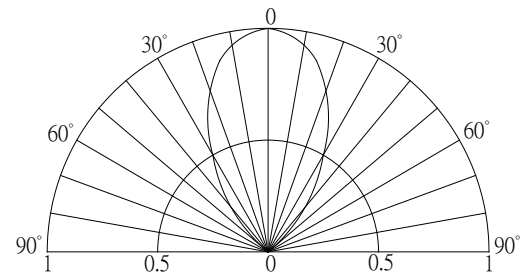
1. Anode
2. Cathode
Unit: mm
Tolerance: ± 0.20 mm
unless otherwise noted

■Absolute Maximum Rating

(Ta=25°C)

Item	Symbol	Value		Unit
		B/G	YG/Y/O/R	
DC Forward Current	I _F	30	30	mA
Pulse Forward Current#	I _{FP}	100	100	mA
Reverse Voltage	V _R	5	5	V
Power Dissipation	P _D	102	72	mW
Operating Temperature	T _{opr}	-30 ~ +85		°C
Storage Temperature	T _{stg}	-40 ~ +100		°C
Lead Soldering Temperature	T _{sol}	260°C/5sec		-

■Directivity



#Pulse width Max.10ms Duty ratio max 1/10

■Electrical -Optical Characteristics

(Ta=25°C)

Part Number	Color			V _F (V)*			I _R (μA)	I _v (mcd)*			W _d (nm)*			2θ _{1/2} (deg)
				Min.	Typ.	Max.	Max.	Min.	Typ.	Max.	Min.	Typ.	Max.	Typ.
				I _F =20mA			V _R =5V			I _F =20mA				
OSB5YU5W63C	Blue	B	■	-	2.9	3.4	10	500	750	-	465	470	475	60
OSG5TA5W63C	Pure Green	G	■	-	2.9	3.4	10	1120	1560	-	520	525	530	60
OSG8HA5W63C	Yellow Green	YG	■	-	2.1	2.4	10	220	330	-	565	570	575	60
OSY5JA5W63C	Yellow	Y	■	-	2.1	2.4	10	330	500	-	585	590	595	60
OSO5JA5W63C	Orange	O	■	-	2.1	2.4	10	330	500	-	600	605	610	60
OSR5JA5W63C	Red	R	■	-	2.1	2.4	10	330	500	-	620	625	630	60

*1 Tolerance of measurements of chromaticity coordinate is $\pm 10\%$

*2 Tolerance of measurements of dominant wavelength is ± 1 nm

*3 Tolerance of measurements of luminous intensity is $\pm 15\%$

*4 Tolerance of measurements of forward voltage is ± 0.1 V

LED & Application Technologies

