

■ **Features**

- 2.3 Inch Single Digit Display
- Long lifetime operation
- IC compatible
- Low power dissipation
- Gray surface & white segment or dot
- **Number of pins :10**

■ **Applications**

- Counting device
- Clock

■ **Absolute Maximum Rating (Ta=25°C)**

| Item   | Symbol           | Value      |          | Unit |
|--|------------------|------------|----------|------|
|  |                  | R/YG/Y/O   | G/B/     |      |
| DC Forward Current                                   | I <sub>F</sub>   | 20         | 20       | mA   |
| Pulse Forward Current#                               | I <sub>FP</sub>  | 100        | 100      | mA   |
| Reverse Voltage / Per Segment or (Dp)                | V <sub>R</sub>   | 20(10)     | 20(10)   | V    |
| Power Dissipation / Per Segment or (Dp)              | P <sub>t</sub>   | 190(96)    | 272(136) | mW   |
| Operating Temperature                                | T <sub>opr</sub> | -30 ~ +70  |          | °C   |
| Storage Temperature                                  | T <sub>stg</sub> | -40~ +85   |          | °C   |
| Lead Soldering Temperature(1.6mm from seating plane) | T <sub>sol</sub> | 260°C/5sec |          | °C   |

#Pulse width Max.10ms Duty ratio max 1/10

■ **Electrical -Optical Characteristics (Ta=25°C)**

| Part Number        | Color        |    |   | V <sub>F</sub> (V)  |               |               | I <sub>R</sub> (μA)  | I <sub>v</sub> (mcd) |      |      | λD(nm) |      |      |
|--------------------|--------------|----|---|---------------------|---------------|---------------|----------------------|----------------------|------|------|--------|------|------|
|                    |              |    |   | Per Segment or (Dp) |               |               |                      | Max.                 | Min. | Typ. | Max.   | Min. | Typ. |
|                    |              |    |   | Min.                | Typ.          | Max.          | I <sub>F</sub> =20mA |                      |      |      |        |      |      |
| OSK12305-IB / LB   | Blue         | B  | ■ | 11.2<br>(5.6)       | 12.4<br>(6.2) | 14.4<br>(7.2) | 10                   | -                    | 50   | -    | 460    | 465  | 475  |
| OSK12305-IG / LG   | Pure Green   | PG | ■ | 11.2<br>(5.6)       | 12.4<br>(6.2) | 14.4<br>(7.2) | 10                   | -                    | 270  | -    | 515    | 525  | 530  |
| OSK12305-IYG / LYG | Yellow Green | YG | ■ | 7.2<br>(3.6)        | 7.6<br>(3.8)  | 9.6<br>(4.8)  | 10                   | -                    | 30   | -    | 565    | 570  | 575  |
| OSK12305-IY / LY   | Yellow       | Y  | ■ | 7.2<br>(3.6)        | 7.6<br>(3.8)  | 9.6<br>(4.8)  | 10                   | -                    | 60   | -    | 585    | 590  | 595  |
| OSK12305-IO / LO   | Orange       | O  | ■ | 7.2<br>(3.6)        | 7.6<br>(3.8)  | 9.6<br>(4.8)  | 10                   | -                    | 70   | -    | 600    | 605  | 610  |
| OSK12305-IR / LR   | Red          | R  | ■ | 7.2<br>(3.6)        | 7.6<br>(3.8)  | 9.6<br>(4.8)  | 10                   | -                    | 36   | -    | 625    | 630  | 640  |
| OSK12305-IRA / LRA | High Red     | R  | ■ | 7.2<br>(3.6)        | 7.6<br>(3.8)  | 9.6<br>(4.8)  | 10                   | -                    | 100  | -    | 620    | 625  | 630  |

\*1 Tolerance of measurements of dominant wavelength is ±1nm

\*2 Tolerance of measurements of luminous intensity is ±15%

\*3 Tolerance of measurements of forward voltage is±0.1V

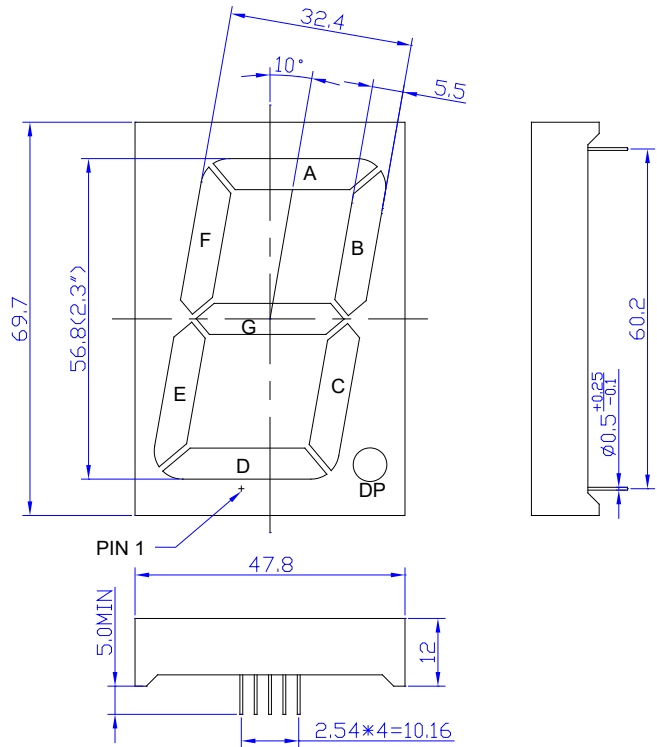
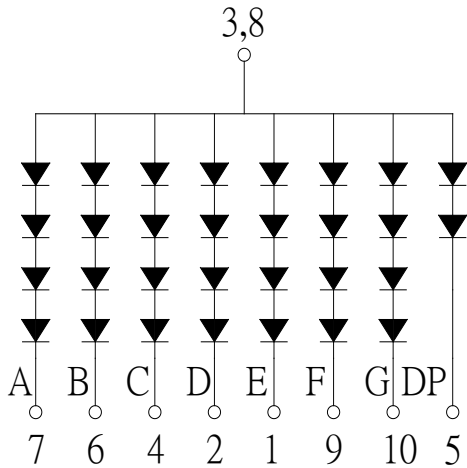
**■ Package Dimensions and Pin Function**

**OSK12305-IX**

**(Common Anode type)**

Note:

- 1, Unit : mm (Tolerance:  $\pm 0.25$ mm unless otherwise noted)
- 2, The slope angle of any PIN may be  $\pm 5.0^\circ$  Max



**OSK12305-LX**

**(Common Cathode type)**

Note:

- 1, Unit : mm (Tolerance:  $\pm 0.3$ mm unless otherwise noted)
- 2, The slope angle of any PIN may be  $\pm 5.0^\circ$  Max

