

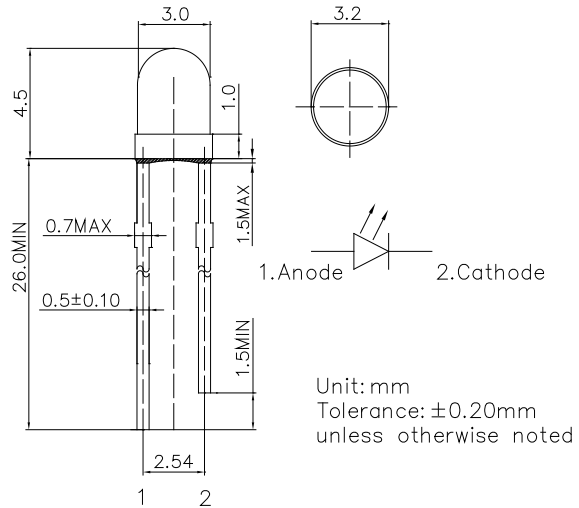
### ■ Features

- High Luminous LEDs
- 3mm Standard Directivity
- UV Resistant Epoxy
- Color Diffused (White Diffused for W, M only)

### ■ Applications

- Decorating Lighting
- Light String
- Back Lighting
- General Use

### ■ Outline Dimension



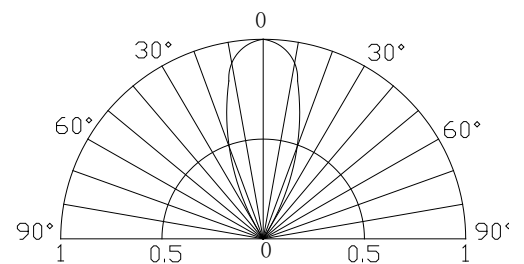
### ■ Absolute Maximum Rating

(Ta=25°C)

Item	Symbol	Value		Unit
		W/M/BL/PG	YG/Y/O/R	
DC Forward Current	I <sub>F</sub>	30	30	mA
Pulse Forward Current#	I <sub>FP</sub>	100	100	mA
Reverse Voltage	V <sub>R</sub>	5	5	V
Power Dissipation	P <sub>D</sub>	102	78	mW
Operating Temperature	T <sub>opr</sub>	-30 ~ +85		°C
Storage Temperature	T <sub>stg</sub>	-40 ~ +100		°C
Lead Soldering Temperature	T <sub>sol</sub>	260°C/5sec		-

#Pulse width Max.10ms Duty ratio max 1/10

### ■ Directivity



### ■ Electrical -Optical Characteristics

(Ta=25°C)

Part Number	Color		V <sub>F</sub> (V)*			I <sub>R</sub> (μA)	I <sub>v</sub> (mcd)*			W <sub>d</sub> (nm)*			2θ1/2(deg)
			Min.	Typ.	Max.	Max.	Min.	Typ.	Max.	Min.	Typ.	Max.	Typ.
			I <sub>F</sub> =20mA			V <sub>R</sub> =5V		I <sub>F</sub> =20mA					
OSW4YK3C42A	Pure White	W	-	2.9	3.4	10	750	1120	-	5500-8500K			40
OSM5YK3C42A	Warm White	M	-	2.9	3.4	10	750	1120	-	2700-3300K			40
OSB5YU3C44A	Blue	BL	-	2.9	3.4	10	330	500	-	465	470	475	40
OSG5TA3C44A	Pure Green	PG	-	2.9	3.4	10	750	1120	-	520	525	530	40
OSG8HA3C44A	Yellow Green	YG	-	2.1	2.6	10	150	220	-	565	570	575	40
OSY5JA3C44A	Yellow	Y	-	2.1	2.6	10	220	330	-	585	590	595	40
OSO5JA3C44A	Orange	O	-	2.1	2.6	10	220	330	-	600	605	610	40
OSR5JA3C44A	Red	R	-	2.1	2.6	10	220	330	-	620	625	630	40

\*1 Tolerance of measurements of chromaticity coordinate is ±10%

\*2 Tolerance of measurements of dominant wavelength is ±1nm

\*3 Tolerance of measurements of luminous intensity is ±15%

\*4 Tolerance of measurements of forward voltage is ±0.1V