

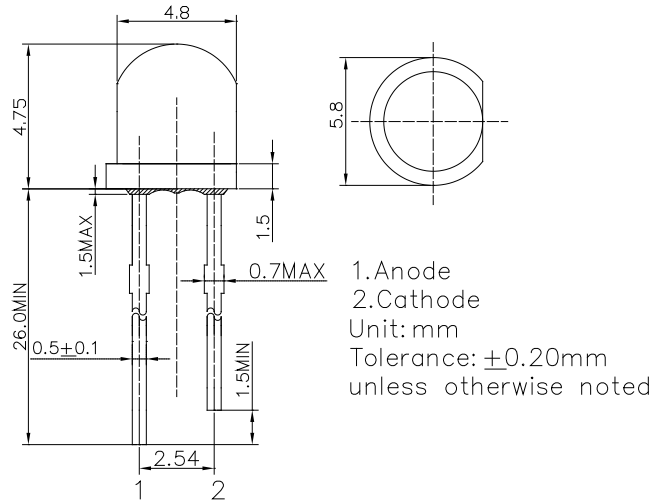
**■ Features**

- High Lumen Output
- 4.8mm Straw Standard Directivity
- UV Resistant Epoxy
- Water Clear Type
- High Voltage Operation

**■ Applications**

- Backlighting (illuminated advertising etc.)
- Substitution of Micro Incandescent Lamps
- Reading Lamps / Emergency Lighting
- Marker lights (e.g. steps, exit ways, etc.)
- Other Lighting

**■ Outline Dimension**



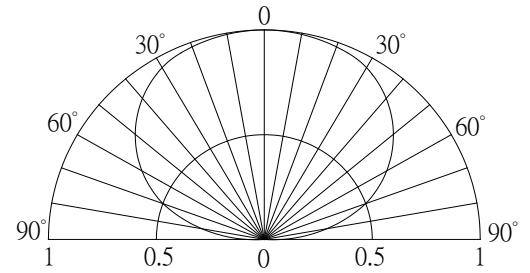
**■ Absolute Maximum Rating**

(Ta=25°C)

Item	Symbol	Value	Unit
DC Forward Current	I <sub>F</sub>	35	mA
Pulse Forward Current#	I <sub>FP</sub>	120	mA
Reverse Voltage	V <sub>R</sub>	20	V
Power Dissipation	P <sub>D</sub>	420	mW
Operating Temperature	Topr	-30 ~ +85	°C
Storage Temperature	Tstg	-40 ~ +100	°C
Lead Soldering Temperature	Tsol	260°C/5sec	-

#Pulse width Max 10ms , Duty ratio max 1/10

**■ Directivity**



**■ Electrical -Optical Characteristics**

(Ta=25°C)

Part Number	Color			V <sub>F</sub> (V)*1			I <sub>R</sub> (μA)	Φ <sub>v</sub> (LM)*2			CCT(K)*3/x,y*4			2θ1/2(deg)
				Min.	Typ.	Max.	Max.	Min.	Typ.	Max.	Min.	Typ.	Max.	Typ.
				I <sub>F</sub> =30mA			V <sub>R</sub> =20V			I <sub>F</sub> =30mA				
OSW5CV56E1A	Cool White	W		-	11.5	12.0	10	60	65	-	8500-10000-18000K(X:0.27,Y:0.28)			140
OSW4CV56E1A	Pure White	W		-	11.5	12.0	10	65	70	-	5500-6500-8500K(X:0.31,Y:0.34)			140
OSM5CV56E1A	Warm White	M	■	-	11.5	12.0	10	60	65	-	2700-3000-3300K(X:0.44,Y:0.41)			140
OSB6CV56E1A	Ice Blue	B	■	-	11.5	12.0	10	65	70	-	X:0.19,Y:0.29			140

\*1 Tolerance of measurements of forward voltage is  $\pm 0.1$ V

\*2 Tolerance of measurements of luminous flux is  $\pm 15\%$

\*3 Tolerance of measurements of color temperature is  $\pm 10\%$

\*4 Tolerance of measurements of chromaticity coordinate is  $\pm 10\%$