

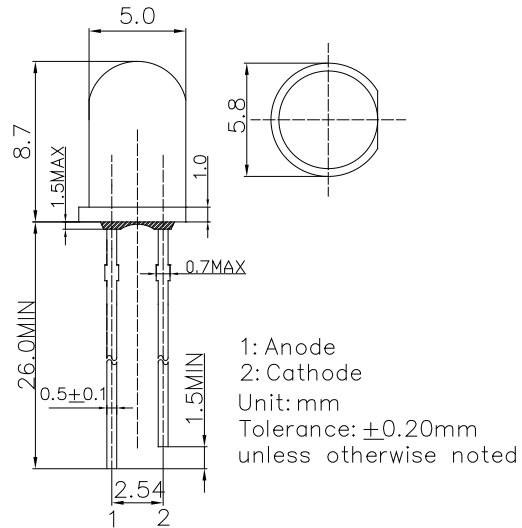
■ **Features**

- High Lumen Output
- 5mm Round Standard Directivity
- UV Resistant Epoxy
- Water Clear Type
- High Voltage Operation

■ **Applications**

- Backlighting (illuminated advertising etc.)
- Substitution of Micro Incandescent Lamps
- Reading Lamps / Emergency Lighting
- Marker lights (e.g. steps, exit ways, etc.)
- Other Lighting

■ **Outline Dimension**



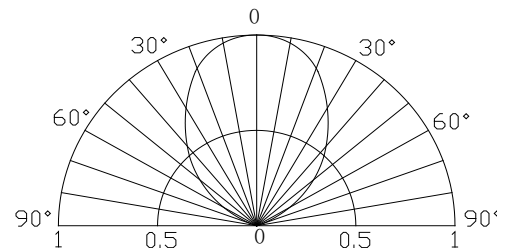
■ **Absolute Maximum Rating**

(Ta=25°C)

Item	Symbol	Value	Unit
DC Forward Current	I _F	35	mA
Pulse Forward Current#	I _{FP}	120	mA
Reverse Voltage	V _R	20	V
Power Dissipation	P _D	420	mW
Operating Temperature	T _{opr}	-30 ~ +85	°C
Storage Temperature	T _{stg}	-40 ~ +100	°C
Lead Soldering Temperature	T _{sol}	260°C/5sec	-

#Pulse width Max 10ms , Duty ratio max 1/10

■ **Directivity**



■ **Electrical -Optical Characteristics**

(Ta=25°C)

Part Number	Color			V _F (V)*1			I _R (μA)	Φ _v (LM)*2			CCT(K)*3/x,y*4			2θ1/2(deg)
				Min.	Typ.	Max.	Max.	Min.	Typ.	Max.	Min.	Typ.	Max.	Typ.
				I _F =30mA			V _R =20V			I _F =30mA				
OSW5CV5B61A	Cool White	W		-	11.5	12.0	10	60	65	-	8500-10000-18000K(X:0.27,Y:0.28)			60
OSW4CV5B61A	Pure White	W		-	11.5	12.0	10	65	70	-	5500-6500-8500K(X:0.31,Y:0.34)			60
OSM5CV5B61A	Warm White	M	■	-	11.5	12.0	10	60	65	-	2700-3000-3300K(X:0.44,Y:0.41)			60
OSB6CV5B61A	Ice Blue	B	■	-	11.5	12.0	10	65	70	-	X:0.19,Y:0.29			60

*1 Tolerance of measurements of forward voltage is ±0.1V

*2 Tolerance of measurements of luminous flux is ±15%

*3 Tolerance of measurements of color temperature is ±10%

*4 Tolerance of measurements of chromaticity coordinate is ±10%