

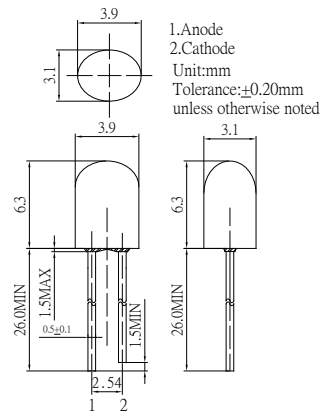
■Features

- High Luminous LED
- 3.9x3.1mm Round Standard Directivity
- Long Lifetime Operation
- Superior UV Resistance
- Color Transparent Type

■Applications

- Electronic Signs and Signals
- Small Area Illuminations
- Back Lighting
- Other Lighting

■Outline Dimension

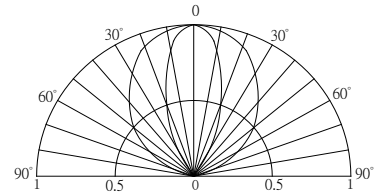


■Absolute Maximum Rating

(Ta=25°C)

■Directivity

Item	Symbol	Value			Unit
		B/PG	Y5RU/O5JA/R5RU	Y5PA/O5PA/R5PA	
DC Forward Current	I _F	30	30	50	mA
Pulse Forward Current#	I _{FP}	100	100	120	mA
Reverse Voltage	V _R	5	5	5	V
Power Dissipation	P _D	102	78	130	mW
Operating Temperature	Topr	-30 ~ +85			°C
Storage Temperature	Tstg	-40 ~ +100			°C
Lead Soldering Temperature	Tsol	260°C/5sec			-



#Pulse width Max 0.1ms, Duty ratio max 1/10

■Electrical -Optical Characteristics

(Ta=25°C)

Part Number	Color		V _F (V)*			I _R (μA)	I _v (mcd)*			λD(nm)*			2θ1/2(deg)	
			Min.	Typ.	Max.		Max.	Min.	Typ.	Max.	Min.	Typ.		Max.
			I _F =20mA			V _R =5V		I _F =20mA						
OSB5SA43A3B	Blue	B	■	-	2.9	3.4	10	2180	3000	-	465	470	475	100/40
OSG5DA43A3B	Pure Green	PG	■	-	2.9	3.4	10	4200	5800	-	520	525	530	100/40
OSY5RU43A3B	Yellow	Y	■	-	2.1	2.6	10	750	1120	-	585	590	595	100/40
OSY5PA43A3B	Yellow	Y	■	-	2.1	2.6	10	4200	5800	-	585	590	595	100/40
OSO5JA43A3B	Orange	O	■	-	2.1	2.6	10	750	1120	-	600	605	610	100/40
OSO5PA43A3B	Orange	O	■	-	2.1	2.6	10	4200	5800	-	600	605	610	100/40
OSR5RU43A3B	Red	R	■	-	2.1	2.6	10	750	1120	-	620	625	630	100/40
OSR5PA43A3B	Red	R	■	-	2.1	2.6	10	4200	5800	-	620	625	630	100/40

*1 Tolerance of measurements of Domi. wavelength is ±1nm

*2 Tolerance of measurements of luminous intensity is ±15%

*3 Tolerance of measurements of forward voltage is ±0.1V