

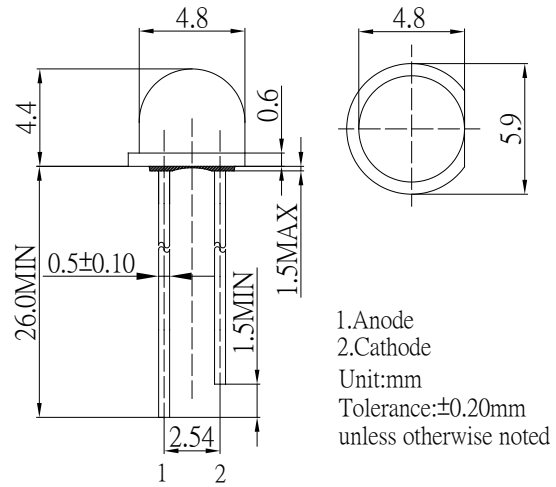
■ Features

- High Luminous LEDs
- 4.8mm Helmet Standard Directivity
- UV Resistant Epoxy
- Color Diffused (W/M: White Diffused)

■ Applications

- Electronic Signs and Signals
- Back Lighting
- Small Area Illuminations
- Other Lighting

■ Outline Dimension

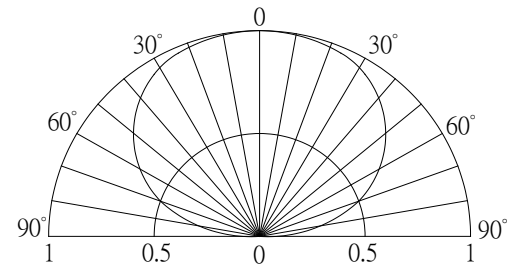


■ Absolute Maximum Rating

(Ta=25°C)

Item	Symbol	Value		Unit
		W/M/B/PG	Y/O/R	
DC Forward Current	I _F	30	30	mA
Pulse Forward Current#	I _{FP}	100	100	mA
Reverse Voltage	V _R	5	5	V
Power Dissipation	P _D	108	78	mW
Operating Temperature	T _{opr}	-30 ~ +85		°C
Storage Temperature	T _{stg}	-40 ~ +100		°C
Lead Soldering Temperature	T _{sol}	260°C/5sec		-

■ Directivity



#Pulse width Max.10ms Duty ratio max 1/10

■ Electrical -Optical Characteristics

(Ta=25°C)

Part Number	Color		V _F (V)*			I _R (μA)	I _v (mcd)*			λD(nm)*			θ1/2(deg)
			Min.	Typ.	Max.		Max.	Min.	Typ.	Max.	Min.	Typ.	
			I _F =20mA			V _R =5V		I _F =20mA					
OSW54K5PE2A	Cool White	W	-	2.9	3.4	10	1560	2180	-	8500-18000K(X:0.27,Y:0.28)			140
OSW44K5PE2A	Pure White	W	-	2.9	3.4	10	1560	2180	-	5500-8500K(X:0.31,Y:0.33)			140
OSM54K5PE2A	Warm White	M	-	2.9	3.4	10	1120	1560	-	2700-3200K(X:0.45,Y:0.41)			140
OSB5DA5PE4A	Blue	B	-	2.9	3.4	10	750	1120	-	465	465	475	140
OSG58A5PE4A	Pure Green	PG	-	2.9	3.4	10	1560	2180	-	520	525	530	140
OSY5PA5PE4A	Yellow	Y	-	2.1	2.6	10	750	1120	-	585	590	595	140
OSO5PA5PE4A	Orange	O	-	2.1	2.6	10	750	1120	-	600	605	610	140
OSR5PA5PE4A	Red	R	-	2.1	2.6	10	750	1120	-	620	625	630	140

*1 Tolerance of measurements of chromaticity coordinate is ±10%
 *2 Tolerance of measurements of dominant wavelength is ±1nm
 *3 Tolerance of measurements of luminous intensity is ±15%
 *4 Tolerance of measurements of forward voltage is ±0.1V