

Model No.	OBD3-XXXX8B31F
REV.	Ver.4.5

E10 Screw LED Light Bulb DC1.2V

Descriptions:

- Long life, easy installation
- Low input voltage DC **0.8~1.8V** DC
- LED type: OSXXXX8B31F (8mm round LED)
- Water clear

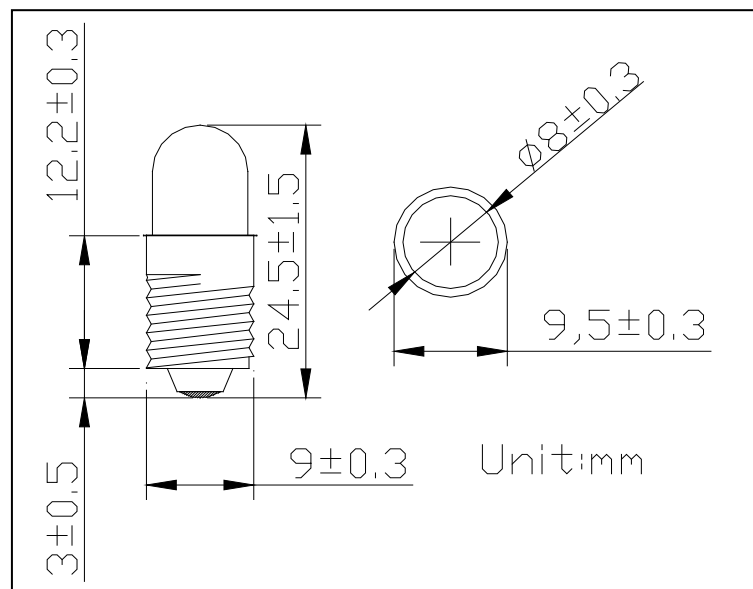
Features:

- Available in Red, Yellow, Pure Green, Blue, Pure White, Warm White
- High temperature and environmental protection PA material for lamp holder
- Low power consumption
- Energy saving
- Eye protection, no stroboflash, no radiation
- High luminous intensity

Application:

- LED bulb for signaling

Product Picture and Dimensions:



Model No.	OBD3-XXXX8B31F
REV.	Ver.4.5

Device Selection Guide

Item No	Emitting Color	Wavelength/CCT (Typ.)	Intensity / Per LED (Typ.)
OBD3-W5DK8B31F	Cool White	10000K	25000mcd
OBD3-M5DK8B31F	Warm White	3000K	14400mcd
OBD3-B5SA8B31F	Blue	470nm	8000mcd
OBD3-5RPM8B31F	Red	625nm	15000mcd
OBD3-5YPM8B31F	Yellow	590nm	15000mcd
OBD3-G5DA8B31F	Pure Green	525nm	25000mcd

Absolute Maximum Ratings(Ta=25°C)

Items	Symbol	Values	Units
Operating Supply Range (DC)	V _{dc}	1.8	V
Input Current (DC)	I _i	Red, Yellow	145
		Pure White, Warm White, Blue, Pure Green	120
Power Dissipation	P _a	Red, Yellow	0.26
		Pure White, Warm White, Blue, Pure Green	0.22
Operating Temperature	T _{op}	-10~+50	°C
Storage Temperature	T _{stg}	-20~+70	°C

Typical Performance (Ta=25°C)

Items	Symbol	Min.	Typ.	Max.	Units
LED Module Power	P _m	Red, Yellow	-	0.12	-
		Pure White, Warm White, Blue, Pure Green	-	0.08	-
Input Voltage (DC)	V _i	0.8	1.2	1.8	V
Product Input Current	I _f	Red, Yellow	25	100	145
		Pure White, Warm White, Blue, Pure Green	25	65	120
Beam Pattern	BP	-	30	-	Deg
Net Weight	Wei.	-	1.7	-	g