

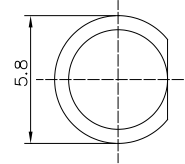
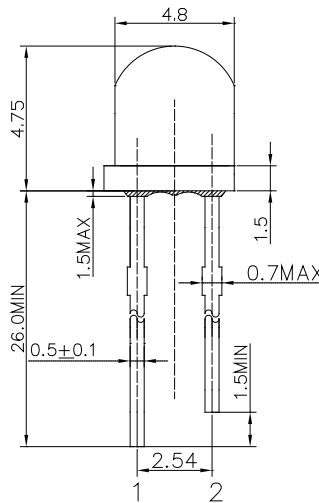
■Features

- High Radiant Power LEDs
- 4.8mm Straw Standard Directivity
- UV Resistant Epoxy
- Water Clear Type

■Applications

- Horticulture Lighting

■Outline Dimension



1. Anode
2. Cathode
Unit: mm
Tolerance: ± 0.20 mm
unless otherwise noted

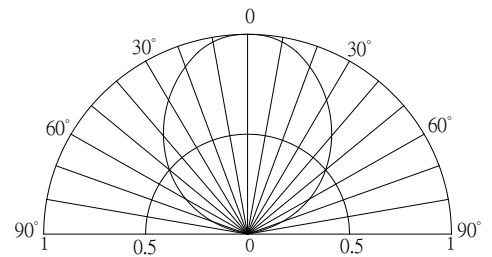
■Absolute Maximum Rating

(Ta=25°C)

Item	Symbol	Value	Unit
DC Forward Current	I _F	70	mA
Pulse Forward Current#	I _{FP}	200	mA
Reverse Voltage	V _R	5	V
Power Dissipation	P _D	175	mW
Operating Temperature	T _{opr}	-30 ~ +85	°C
Storage Temperature	T _{stg}	-40 ~ +100	°C
Lead Soldering Temperature	T _{sol}	260°C/5sec	-

#Pulse width Max.10ms Duty ratio max 1/10

■Directivity



■Electrical -Optical Characteristics

(Ta=25°C)

Item	Symbol	Condition	Min.	Typ.	Max.	Unit
DC Forward Voltage*1	V _F	I _F =50mA	-	2.0	2.5	V
DC Reverse Current	I _R	V _R =5V	-	-	10	μA
Peak Wavelength*2	λ _p	I _F =50mA	720	730	740	nm
Radiant Power*3	Φ _e	I _F =50mA	50	55	-	mW
Radiant Intensity*4	I _e	I _F =50mA	20	30	-	mW/Sr
50% Power Angle	2θ _{1/2}	I _F =50mA	-	100	-	deg

*1 Tolerance of measurements of forward voltage is ± 0.1 V

*2 Tolerance of measurements of peak wavelength is ± 1 nm

*3 Tolerance of measurements of Radiant Power is $\pm 15\%$

*4 Tolerance of measurements of Radiant Intensity is $\pm 15\%$