

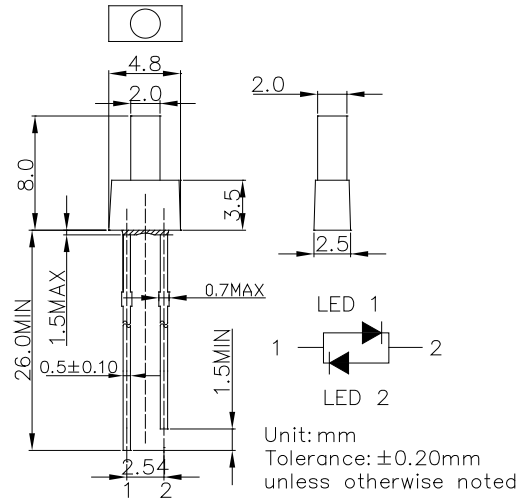
■Features

- High Luminous LED
- 2mm Tower Standard Directivity
- Long Lifetime Operation
- Bi-polar Type
- Color Diffused / White Diffused (W, M only)

■Applications

- Electronic Signs and Signals
- Small Area Illuminations
- Back Lighting
- Other Lighting

■Outline Dimension



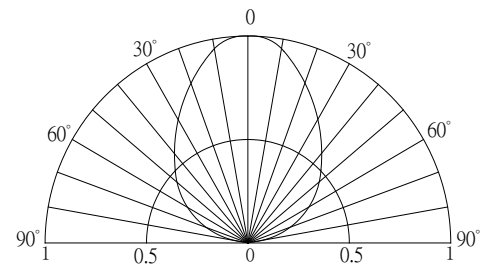
■Absolute Maximum Rating

(Ta=25°C)

Item	Symbol	Value		Unit
		W/M/B/PG	YG/Y/O/R	
DC Forward Current	I _F	30	30	mA
Pulse Forward Current#	I _{FP}	100	100	mA
Reverse Voltage	V _R	5	5	V
Power Dissipation	P _D	102	78	mW
Operating Temperature	Topr	-30 ~ +85		°C
Storage Temperature	Tstg	-100 ~ +85		°C
Lead Soldering Temperature	Tsol	260°C/5sec		-

#Pulse width Max 0.1ms, Duty ratio max 1/10

■Directivity



■Electrical -Optical Characteristics

(Ta=25°C)

Part Number	Color		V _F (V)*			I _R (μA)	I _v (mcd)*			λD(nm)*			2θ1/2(deg)
			Min.	Typ.	Max.		Max.	Min.	Typ.	Max.	Min.	Typ.	
			I _F =20mA			V _R =5V			I _F =20mA				
OSWWD27K92B	White	W	-	2.9	3.4	10	1120	1560	-	CCT:8000-18000K			90
OSMMD27K92B	Warm White	M	-	2.9	3.4	10	1120	1560	-	CCT:2700-3300K			90
OSBBS27K94B	Blue	B	-	2.9	3.4	10	500	750	-	465	470	475	90
OSPPD27K94B	Pure Green	PG	-	2.9	3.4	10	1120	1560	-	520	525	530	90
OSGGH27K94B	Yellow Green	YG	-	2.1	2.6	10	100	150	-	565	570	575	90
OSYYR27K94B	Yellow	Y	-	2.1	2.6	10	220	330	-	585	590	595	90
OSOOJ27K94B	Orange	O	-	2.1	2.6	10	220	330	-	600	605	610	90
OSRRR27K94B	Red	R	-	2.1	2.6	10	220	330	-	620	625	630	90

*1 Tolerance of measurements of dominant wavelength is +1nm

*2 Tolerance of measurements of luminous intensity is ±15%

*3 Tolerance of measurements of forward voltage is ±0.1V