

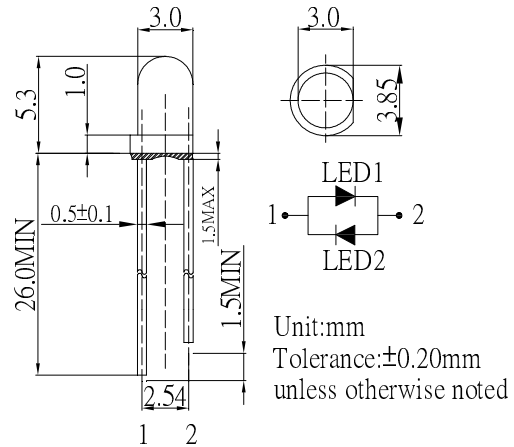
■ Features

- High Luminous LEDs
- 3mm Round Standard Directivity
- UV Resistant Epoxy
- Color Diffused / White Diffused
- Bi-polar

■ Applications

- Signage applications
- Status indicator
- Back Lighting
- General Use

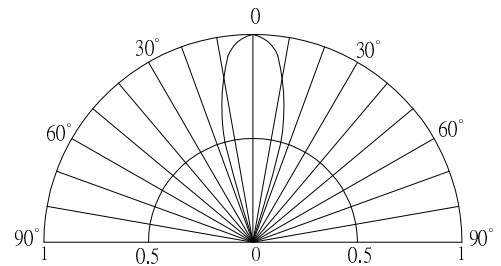
■ Outline Dimension



■ Absolute Maximum Rating (Ta=25°C)

Item	Symbol	Value		Unit
		W/M/B/PG	YG/Y/O/R	
DC Forward Current	I _F	30	30	mA
Pulse Forward Current#	I _{FP}	100	100	mA
Reverse Voltage	V _R	5	5	V
Power Dissipation	P _D	102	78	mW
Operating Temperature	Topr	-30 ~ +85		°C
Storage Temperature	Tstg	-40~ +100		°C
Lead Soldering Temperature	Tsol	260°C/5sec		-

■ Directivity



#Pulse width Max.10ms Duty ratio max 1/10

Part Number	Color		V _F (V)			I _v (mcd)			λD(nm)/CCT(K)			θ1/2(deg)
			Min.	Typ.	Max.	Min.	Typ.	Max.	Min.	Typ.	Max.	Typ.
			I _F =20mA			I _F =20mA						
OSWWD23132A	White	W	2.7	2.9	3.4	4200	5800	-	CCT: 8500-18000K			30
OSMMD23132A	Warm White	M	2.7	2.9	3.4	4200	5800	-	CCT:2700-3300K			30
OSBBS23134A	Blue	B	2.7	2.9	3.4	750	1120	-	465	465	475	30
OSPPD23134A	Pure Green	PG	2.7	2.9	3.4	4200	5800	-	520	525	530	30
OSGGH23134A	Yellow Green	YG	1.8	2.1	2.6	68	100	-	565	570	575	30
OSYYR23134A	Yellow	Y	1.8	2.1	2.6	220	330	-	585	590	595	30
OSOOJ23134A	Orange	O	1.8	2.1	2.6	220	330	-	600	605	610	30
OSRRR23134A	Red	R	1.8	2.1	2.6	220	330	-	620	625	630	30

*1 Tolerance of measurements of Domi. wavelength is ±1nm
 *2 Tolerance of measurements of chromaticity coordinates is ±10%
 *3 Tolerance of measurements of luminous intensity is ±15%
 *4 Tolerance of measurements of forward voltage is ±0.1V