

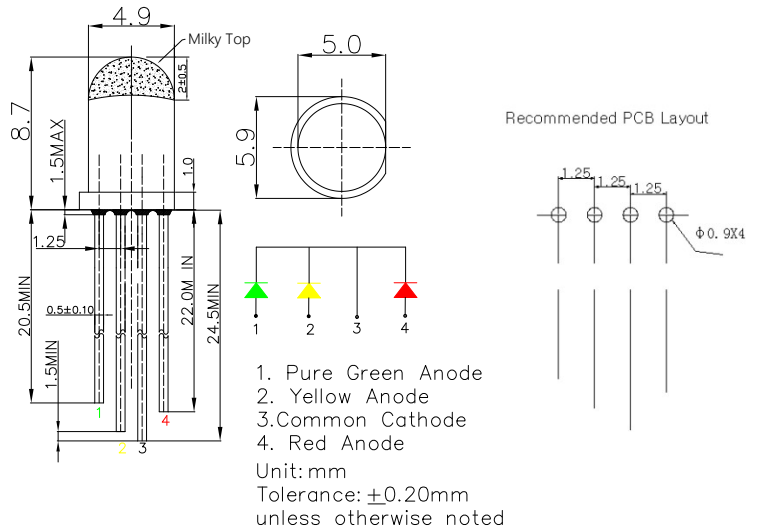
■Features

- High Luminous LEDs
- 5mm Round Standard Directivity
- Water Clear Body with Milky Top
- Common Cathode Type

■Applications

- Toys
- Games
- Audio
- Other Lighting

■Outline Dimension

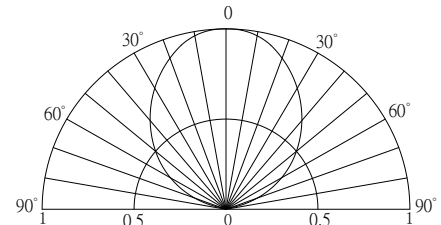


■Absolute Maximum Rating (Ta=25°C)

Item	Symbol	Value		Unit
		Red/Yellow	Green	
DC Forward Current	I_F	30	30	mA
Pulse Forward Current#	I_{FP}	100	100	mA
Reverse Voltage	V_R	5	5	V
Power Dissipation	P_D	78	102	mW
Operating Temperature	T_{opr}	-30 ~ +85		°C
Storage Temperature	T_{stg}	-40 ~ +100		°C
Lead Soldering Temperature	T_{sol}	260°C/5sec		-

#Pulse width Max.10ms Duty ratio max 1/10

■Directivity



■Electrical -Optical Characteristics (Ta=25°C)

Item	Symbol	Condition	Min	Typ.	Max.	Unit
DC Forward Voltage*1	V_F (R/Y)	$I_F=20$ mA	-	2.1	2.6	V
	V_F (G)	$I_F=20$ mA	-	2.9	3.4	V
DC Reverse Current	I_R	$V_R=5$ V	-	-	10	μ A
Domi. Wavelength*2	λ_D (Red)	$I_F=20$ mA	620	625	630	nm
	λ_D (Yellow)	$I_F=20$ mA	585	590	595	nm
	λ_D (Green)	$I_F=20$ mA	520	525	530	nm
Luminous Intensity*3	I_V (Red)	$I_F=20$ mA	2180	3000	-	mcd
	I_V (Yellow)	$I_F=20$ mA	2180	3000	-	mcd
	I_V (Green)	$I_F=20$ mA	2180	3000	-	mcd
50% Power Angle	$2\theta_{1/2}$	$I_F=20$ mA	-	100	-	deg

*1 Tolerance of measurements of forward voltage is ± 0.1 V

*2 Tolerance of measurements of dominant wavelength is ± 1 nm

*3 Tolerance of measurements of luminous intensity is +15%