

■ Features

- High Luminous LEDs
- 5mm Concave Standard Directivity
- UV Resistant Epoxy
- Integral Current Limiting Resistor
- TTL Compatible (Requires no external current limiter with 12Volt Supply)
- Cost Effective (Saves space and resistor cost)
- Water Clear Type

■ Applications

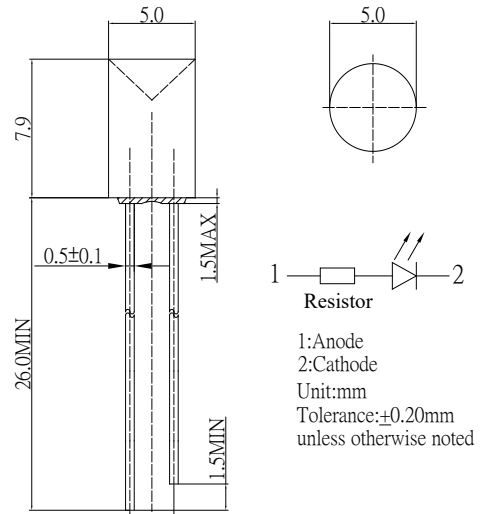
- Status Indicators
- Electronic Signs and Signals
- Other Lighting

■ Absolute Maximum Rating

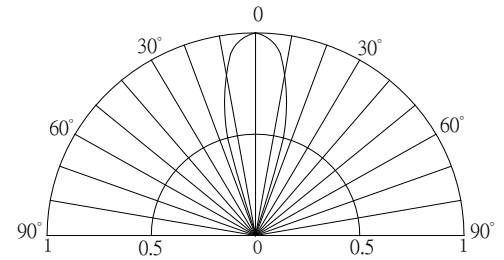
(Ta=25°C)

Item	Symbol	Value	Unit
DC Forward Voltage	V _F	7.5	V
Reverse Voltage	V _R	5	V
Power Dissipation	P _D	150	mW
Operating Temperature	Topr	-30 ~ +85	°C
Storage Temperature	Tstg	-40 ~ +100	°C
Lead Soldering Temperature	Tsol	260°C/5sec	-

■ Outline Dimension



■ Directivity



■ Electrical -Optical Characteristics (Ta=25°C)

Part Number	Color		I _F (mA)			I _v (mcd)*			λD(nm)*			2θ1/2(deg)
			Min	Typ.	Max.	Min.	Typ.	Max.	Min.	Typ.	Max.	Typ.
			V _F =5V			V _F =5V						
OSW5DK5MC1B-5V	Cool White	W	-	12	20	750	1120	-	X=0.27, Y=0.28(CCT:8500-18000K)			120
OSM5DK5MC1B-5V	Warm White	M	-	12	20	500	750	-	X=0.44, Y=0.41(CCT:2700-3300K)			120
OSB5SA5MC1B-5V	Blue	B	-	12	20	220	330	-	465	470	475	120
OSG5DA5MC1B-5V	Pure Green	PG	-	12	20	750	1120	-	520	525	530	120
OSY5JA5MC1B-5V	Yellow	Y	-	12	20	100	150	-	585	590	595	120
OSO5JA5MC1B-5V	Orange	O	-	12	20	100	150	-	600	605	610	120
OSR5JA5MC1B-5V	Red	R	-	12	20	100	150	-	620	625	630	120

*1 Tolerance of measurements of chromaticity coordinate is ±10%
 *2 Tolerance of measurements of dominant wavelength is ±1nm
 *3 Tolerance of measurements of luminous intensity is ±15%
 *4 Tolerance of measurements of forward voltage is ±0.1V