

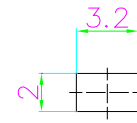
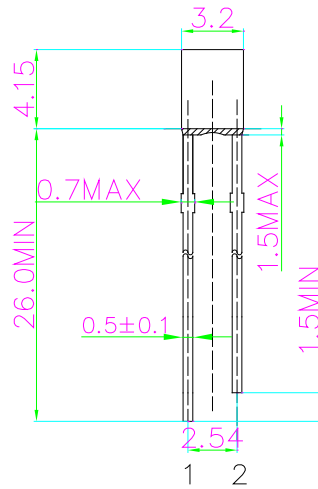
■ Features

- High Luminous LEDs
- 2x3x4mm Rectangular Standard Directivity
- UV Resistant Epoxy
- Color Transparent Type

■ Applications

- Games & Toys
- Indications
- Back Lighting
- Decorations

■ Outline Dimension



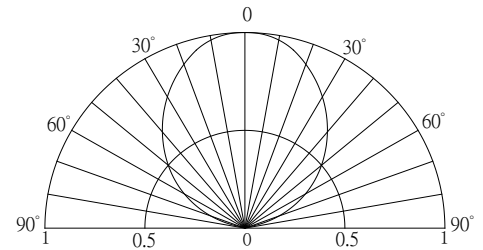
1. Anode
2. Cathode
Unit: mm
Tolerance: ±0.20mm
unless otherwise noted

■ Absolute Maximum Rating

(Ta=25°C)

Item	Symbol	Value		Unit
		B/PG	YG/Y/O/R	
DC Forward Current	I _F	30	30	mA
Pulse Forward Current#	I _{FP}	100	100	mA
Reverse Voltage	V _R	5	5	V
Power Dissipation	P _D	102	78	mW
Operating Temperature	Topr	-30 ~ +85		°C
Storage Temperature	Tstg	-40 ~ +100		°C
Lead Soldering Temperature	Tsol	260°C/5sec		-

■ Directivity



#Pulse width Max 0.1ms, Duty ratio max 1/10

■ Electrical -Optical Characteristics

(Ta=25°C)

Part Number	Color		V _F (V)			I _R (μA)	I _v (mcd)*			λD(nm)* / CCT(K)*			2θ1/2(deg)	
			Min.	Typ.	Max.		Min.	Typ.	Max.	Min.	Typ.	Max.		
			I _F =20mA			V _R =5V			I _F =20mA					
OSB5YU7BA3B	Blue	B	■	-	2.9	3.4	10	220	350	-	465	470	475	100
OSG5TA7BA3B	Pure Green	PG	■	-	2.9	3.4	10	500	750	-	520	525	530	100
OSG8HA7BA3B	Yellow Green	YG	■	-	2.1	2.6	10	150	220	-	565	570	575	100
OSY5JA7BA3B	Yellow	Y	■	-	2.1	2.6	10	220	350	-	585	590	595	100
OSO5JA7BA3B	Orange	O	■	-	2.1	2.6	10	220	350	-	600	605	610	100
OSR5JA7BA3B	Red	R	■	-	2.1	2.6	10	220	350	-	620	625	630	100

*1 Tolerance of measurements of dominant wavelength is ±1nm

*2 Tolerance of measurements of color temperature is ±10%

*3 Tolerance of measurements of luminous intensity is ±15%

*4 Tolerance of measurements of forward voltage is ±0.1V