

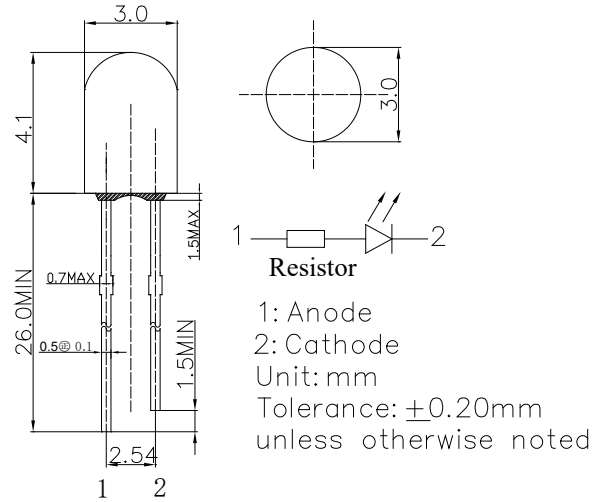
**■ Features**

- High Luminous LEDs
- 3mm Round Standard Directivity
- UV Resistant Epoxy
- Integral Current Limiting Resistor
- TTL Compatible (Requires No External Current Limiter With 12Volt Supply)
- Cost Effective (Saves Space and Resistor Cost)
- Water Clear Type

**■ Applications**

- Status
- Other Lighting

**■ Outline Dimension**

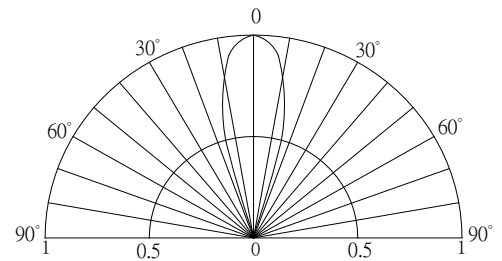


**■ Absolute Maximum Rating**

( $T_a=25^\circ\text{C}$ )

Item	Symbol	Value	Unit
DC Forward Voltage	$V_F$	7.5	V
Reverse Voltage	$V_R$	5	V
Power Dissipation	$P_D$	150	mW
Operating Temperature	$T_{opr}$	-30 ~ +85	$^\circ\text{C}$
Storage Temperature	$T_{stg}$	-40 ~ +100	$^\circ\text{C}$
Lead Soldering Temperature	$T_{sol}$	260 $^\circ\text{C}$ /5sec	-

**■ Directivity**



**■ Electrical -Optical Characteristics**

( $T_a=25^\circ\text{C}$ )

Part Number	Color			$I_F$ (mA)*			$I_v$ (mcd)*			$\lambda D$ (nm)*			2 $\theta$ 1/2(deg)
				Min	Typ.	Max.	Min.	Typ.	Max.	Min.	Typ.	Max.	Typ.
				$V_F=5V$			$V_F=5V$						
OSW5DK3761B-5V	White	W		-	12	20	2180	3000	-	X=0.27, Y=0.28(CCT:8500-18000K)			60
OSM5DK3761B-5V	Warm White	M		-	12	20	1560	2180	-	X=0.44, Y=0.41(CCT:2700-3300K)			60
OSB5SA3761B-5V	Blue	B		-	12	20	1120	1560	-	465	470	475	60
OSG5DA3761B-5V	Pure Green	G		-	12	20	2180	3000	-	520	525	530	60
OSY5PA3761B-5V	Yellow	Y		-	12	20	1560	2180	-	585	590	595	60
OSO5PA3761B-5V	Orange	O		-	12	20	1560	2180	-	600	605	610	60
OSR5PA3761B-5V	Red	R		-	12	20	1560	2180	-	620	625	630	60

\*1 Tolerance of measurements of chromaticity coordinate is  $\pm 10\%$

\*2 Tolerance of measurements of dominant wavelength is  $\pm 1\text{nm}$

\*3 Tolerance of measurements of luminous intensity is  $\pm 15\%$

\*4 Tolerance of measurements of forward voltage is  $\pm 0.1V$