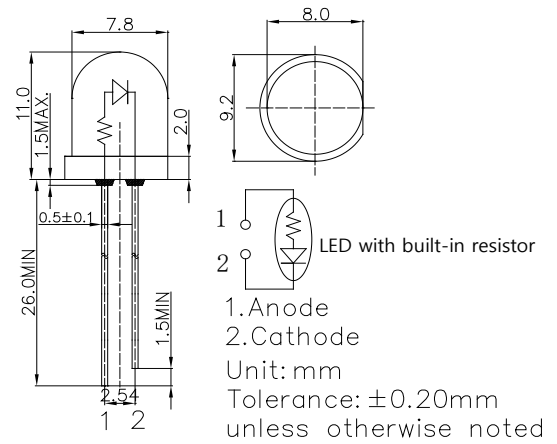


■Description

This LED builds with internal resistor to operate with wide operation voltage of DC3-15V.

■Outline Dimension



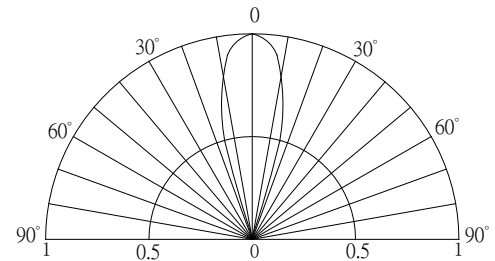
■Features

- Wide Input Voltage
- Cost Saving and Space Saving
- Water Clear Type
- Single Color

■Applications

- Toys/Game/Audio
- TTL/Cmos Compatible
- Arduino/Pi Pico/Steam Kit
- Other Electronics Products

■Directivity

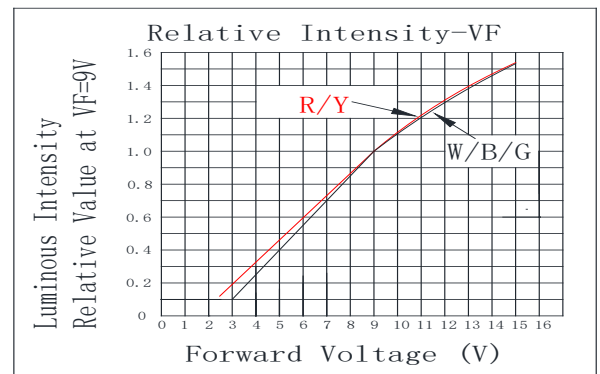


■Absolute Maximum Rating

($T_a=25^{\circ}\text{C}$)

Item	Symbol	Value	Unit
DC Forward Voltage	V_F	15	V
Reverse Voltage	V_R	12	V
Power Dissipation	P_D	190	mW
Operating Temperature	T_{opr}	-30 ~ +85	$^{\circ}\text{C}$
Storage Temperature	T_{stg}	-40 ~ +100	$^{\circ}\text{C}$
Lead Soldering Temperature	T_{sol}	260 $^{\circ}\text{C}$ /5sec	-

■Optical Characteristic Curves



■Electrical -Optical Characteristics

($T_a=25^{\circ}\text{C}$)

8mm Multi-Voltage LED						
LED P/N	OSR58131A-VV	OSY58131A-VV	OSB58131A-VV	OSG58131A-VV	OSM58131A-VV	OSW58131A-VV
Light Color	Red	Yellow	Blue	Pure Green	Warm White	Cool White
Lens Color	Water Clear	Water Clear	Water Clear	Water Clear	Water Clear	Water Clear
Wavelength*1/Color Temperature*2	620-630nm	585-595nm	465-475m	520-530nm	2700-3300K	8500-18000K
Luminous Intensity(typ.)*3	4200mcd	4200mcd	2500mcd	7000mcd	7000mcd	7000mcd
Forward Voltage(typ.)	9V	9V	9V	9V	9V	9V
Forward Current(typ.)	8mA	8mA	7.5mA	7.5mA	7.5mA	7.5mA
Viewing Angle(typ.)	30 $^{\circ}$	30 $^{\circ}$	30 $^{\circ}$	30 $^{\circ}$	30 $^{\circ}$	30 $^{\circ}$

*1 Tolerance of measurements of dominant wavelength is ± 1 nm

*2 Tolerance of measurements of color temperature is $\pm 10\%$

*3 Tolerance of measurements of luminous intensity is $\pm 15\%$