

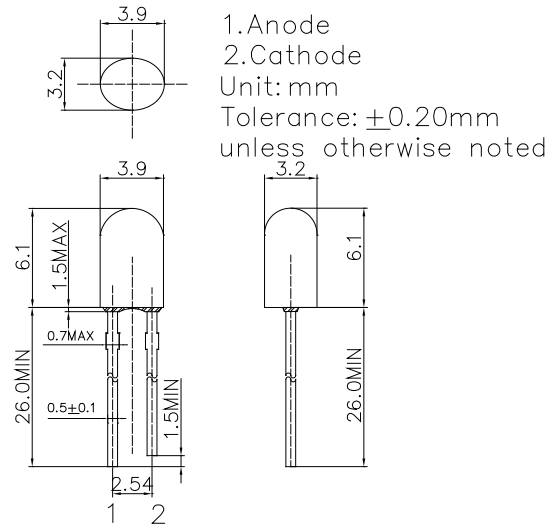
■ Features

- High Luminous LEDs
- 3.9x3.2mm Standard Directivity
- UV Resistant Epoxy
- Water Clear Type

■ Applications

- Electronic Signs and Signals
- Small Area Illuminations
- Back Lighting
- Other Lighting

■ Outline Dimension

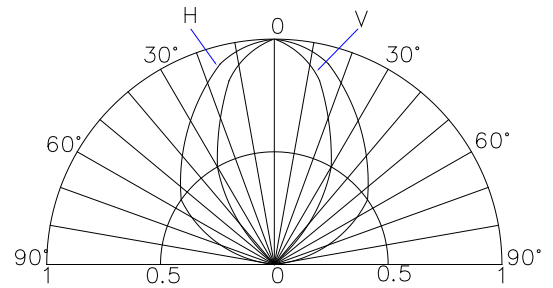


■ Absolute Maximum Rating

(Ta=25°C)

Item	Symbol	Value		Unit
		W/M/B/PG	Y/O/R	
DC Forward Current	I _F	30	30	mA
Pulse Forward Current#	I _{FP}	100	100	mA
Reverse Voltage	V _R	5	5	V
Power Dissipation	P _D	102	78	mW
Operating Temperature	Topr	-30 ~ +85		°C
Storage Temperature	Tstg	-40 ~ +100		°C
Lead Soldering Temperature	Tsol	260°C/5sec		-

■ Directivity



#Pulse width Max 0.1ms, Duty ratio max 1/10

■ Electrical -Optical Characteristics

(Ta=25°C)

Part Number	Color		V _F (V)*			I _R (μA)	I _v (mcd)*			λ _D (nm)* / CCT (K)*			2θ1/2 (deg)
			Min.	Typ.	Max.		Min.	Typ.	Max.	Min.	Typ.	Max.	
			I _F =20mA			V _R =5V			I _F =20mA				
OSW54K46B1B	White	W	-	2.9	3.4	10	4200	5800	-	CCT:8000-18000K			110/60
OSM54K46B1B	Warm White	M	-	2.9	3.4	10	3000	4200	-	CCT:2700-3300K			110/60
OSB5DA46B1B	Blue	B	-	2.9	3.4	10	1560	2180	-	465	470	475	110/60
OSG58A46B1B	Pure Green	PG	-	2.9	3.4	10	3000	4200	-	520	525	530	110/60
OSY5PA46B1B	Yellow	Y	-	2.1	2.6	10	1560	2180	-	585	590	595	110/60
OSO5PA46B1B	Orange	O	-	2.1	2.6	10	1560	2180	-	600	605	610	110/60
OSR5PA46B1B	Red	R	-	2.1	2.6	10	1560	2180	-	620	625	630	110/60

*1 Tolerance of measurements of dominant wavelength is ±1nm

*2 Tolerance of measurements of color temperature is ±10%

*3 Tolerance of measurements of luminous intensity is ±15%

*4 Tolerance of measurements of forward voltage is ±0.1V