

**■Description**

- LED Kit contains 3mm & 5mm Multi-voltage DC3-15V LEDs
- 200pcs are supplied in a storage box for easy storage
- Wide input voltage range (3-15V)
- With built-in resistor, direct use
- Cost effective (save space and resistor cost)
- User-friendly
- Widely applied to project design, Arduino/Pi Pico/  
Steam kit, TTL/Cmos compatible applications

**■Features**

- 3mm/5mm round standard 30° directivity
- Red/Yellow/Blue/Pure Green/Cool White
- Color transparent type

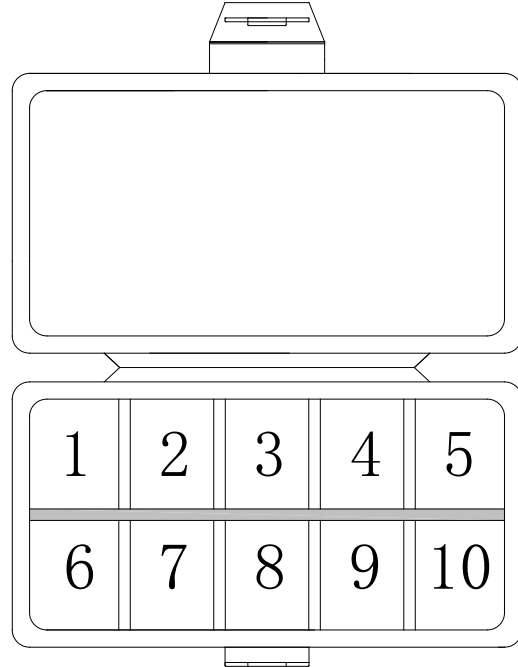
**■Product Picture**

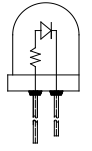
**200pcs/Box (Dimensions: 130\*90\*18mm)**



**■Kit Contents**

Section	Contents	Pcs	P/N	Spec
1	3mm Multi-voltage LED, Red	20	OSR53133A-VV	Page 2
2	3mm Multi-voltage LED, Yellow	20	OSY53133A-VV	
3	3mm Multi-voltage LED, Blue	20	OSB53133A-VV	
4	3mm Multi-voltage LED, Pure Green	20	OSG53133A-VV	
5	3mm Multi-voltage LED, Cool White	20	OSW53131A-VV	
6	5mm Multi-voltage LED, Red	20	OSR55133A-VV	Page 3
7	5mm Multi-voltage LED, Yellow	20	OSY55133A-VV	
8	5mm Multi-voltage LED, Blue	20	OSB55133A-VV	
9	5mm Multi-voltage LED, Pure Green	20	OSG55133A-VV	
10	5mm Multi-voltage LED, Cool White	20	OSW55131A-VV	

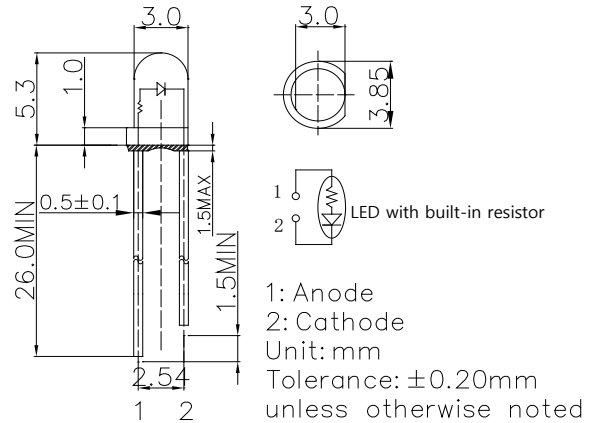




**■Description**

This LED builds with internal resistor to operate with wide operation voltage of DC3-15V.

**■Outline Dimension**



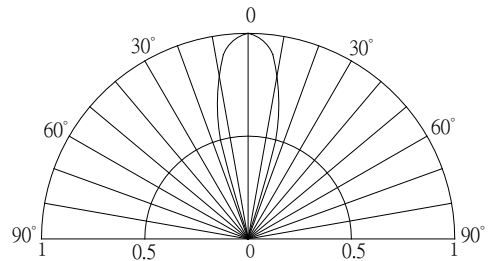
**■Features**

- Wide Input Voltage
- Cost Saving and Space Saving
- Color Transparent
- Single Color

**■Applications**

- Toys/Game/Audio
- TTL/Cmos Compatible
- Arduino/Pi Pico/Steam Kit
- Other Electronics Products

**■Directivity**

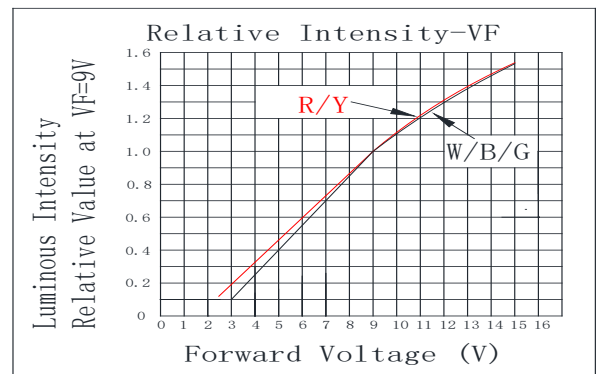


**■Absolute Maximum Rating**

(Ta=25°C)

Item	Symbol	Value	Unit
DC Forward Voltage	V <sub>F</sub>	15	V
Reverse Voltage	V <sub>R</sub>	12	V
Power Dissipation	P <sub>D</sub>	190	mW
Operating Temperature	T <sub>opr</sub>	-30 ~ +85	°C
Storage Temperature	T <sub>stg</sub>	-40 ~ +100	°C
Lead Soldering Temperature	T <sub>sol</sub>	260°C/5sec	-

**■Optical Characteristic Curves**



**■Electrical -Optical Characteristics**

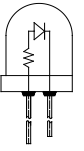
(Ta=25°C)

3mm Multi-Voltage LED					
<b>LED P/N</b>	OSR53133A-VV	OSY53133A-VV	OSB53133A-VV	OSG53133A-VV	OSW53131A-VV
<b>Light Color</b>	Red	Yellow	Blue	Pure Green	Cool White
<b>Lens Color</b>	Red Transparent	Yellow Transparent	Blue Transparent	Green Transparent	Water Clear
<b>Wavelength*1/Color Temperature*2</b>	620-630nm	585-595nm	465-475nm	520-530nm	8500-18000K
<b>Luminous Intensity(typ.)*3</b>	2180mcd	2180mcd	1560mcd	4200mcd	4200mcd
<b>Forward Voltage(typ.)</b>	9V	9V	9V	9V	9V
<b>Forward Current(typ.)</b>	8mA	8mA	7.5mA	7.5mA	7.5mA
<b>Viewing Angle(typ.)</b>	30°	30°	30°	30°	30°
<b>Quantity(pcs)/Box</b>	20	20	20	20	20

\*1 Tolerance of measurements of dominant wavelength is ±1nm

\*2 Tolerance of measurements of color temperature is ±10%

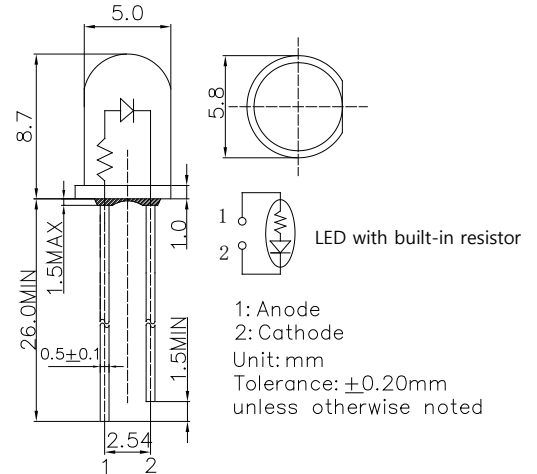
\*3 Tolerance of measurements of luminous intensity is ±15%



**■Description**

This LED builds with internal resistor to operate with wide operation voltage of DC3-15V.

**■Outline Dimension**



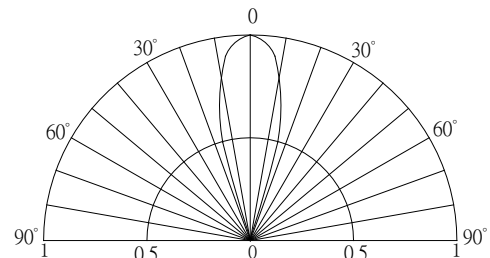
**■Features**

- Wide Input Voltage
- Cost Saving and Space Saving
- Color Transparent
- Single Color

**■Applications**

- Toys/Game/Audio
- TTL/Cmos Compatible
- Arduino/Pi Pico/Steam Kit
- Other Electronics Products

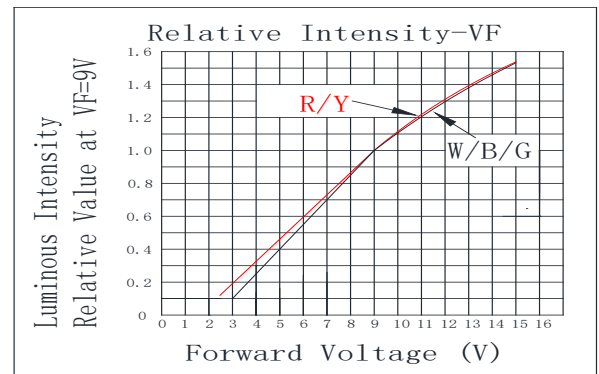
**■Directivity**



**■Absolute Maximum Rating (Ta=25°C)**

Item	Symbol	Value	Unit
DC Forward Voltage	V <sub>F</sub>	15	V
Reverse Voltage	V <sub>R</sub>	12	V
Power Dissipation	P <sub>D</sub>	190	mW
Operating Temperature	Topr	-30 ~ +85	°C
Storage Temperature	Tstg	-40 ~ +100	°C
Lead Soldering Temperature	Tsol	260°C/5sec	-

**■Optical Characteristic Curves**



**■Electrical -Optical Characteristics (Ta=25°C)**

5mm Multi-Voltage LED					
<b>LED P/N</b>	OSR55133A-VV	OSY55133A-VV	OSB55133A-VV	OSG55133A-VV	OSW55131A-VV
<b>Light Color</b>	Red	Yellow	Blue	Pure Green	Cool White
<b>Lens Color</b>	Red Transparent	Yellow Transparent	Blue Transparent	Green Transparent	Water Clear
<b>Wavelength*1/Color Temperature*2</b>	620-630nm	585-595nm	465-475nm	520-530nm	8500-18000K
<b>Luminous Intensity(typ.)*3</b>	3000mcd	3000mcd	2180mcd	5800mcd	5800mcd
<b>Forward Voltage(typ.)</b>	9V	9V	9V	9V	9V
<b>Forward Current(typ.)</b>	8mA	8mA	7.5mA	7.5mA	7.5mA
<b>Viewing Angle(typ.)</b>	30°	30°	30°	30°	30°
<b>Quantity(pcs)/Box</b>	20	20	20	20	20

\*1 Tolerance of measurements of dominant wavelength is ±1nm

\*2 Tolerance of measurements of color temperature is ±10%

\*3 Tolerance of measurements of luminous intensity is ±15%