

■Description

- LED Kit contains 3mm Multi-voltage DC3-15V LEDs
- 250pcs are supplied in a storage box for easy storage
- Wide input voltage range (3-15V)
- With built-in resistor, direct use
- Cost effective (save space and resistor cost)
- User-friendly
- Widely applied to project design, Arduino/Pi Pico/ Steam kit, TTL/Cmos compatible applications

■Features

- 3mm round standard 30° directivity
- Red/Yellow/Blue/Pure Green/Cool White
- Color transparent type

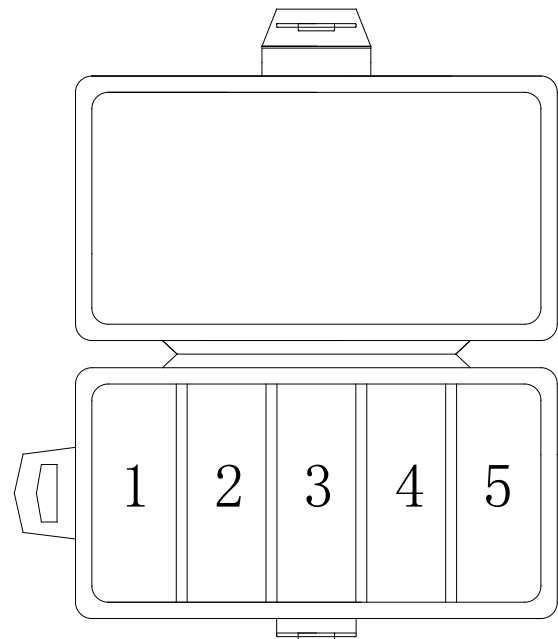
■Product Picture

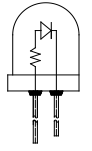
250pcs/Box (Dimensions:129*61*25mm)



■Kit Contents

Section	Contents	Pcs	P/N	Spec
1	3mm Multi-voltage LED, Red	50	OSR53133A-VV	Page 2
2	3mm Multi-voltage LED, Yellow	50	OSY53133A-VV	
3	3mm Multi-voltage LED, Blue	50	OSB53133A-VV	
4	3mm Multi-voltage LED, Pure Green	50	OSG53133A-VV	
5	3mm Multi-voltage LED, Cool White	50	OSW53131A-VV	

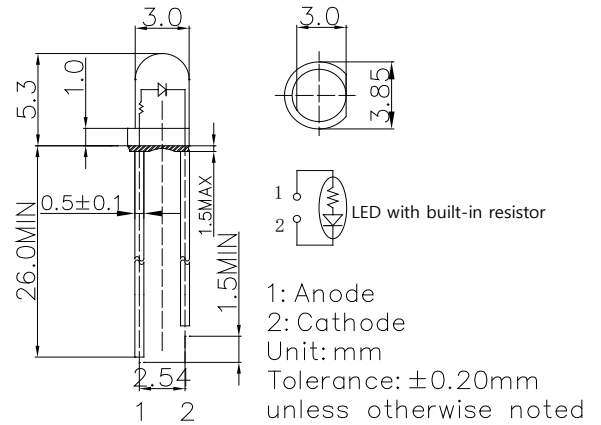




■Description

This LED builds with internal resistor to operate with wide operation voltage of DC3-15V.

■Outline Dimension



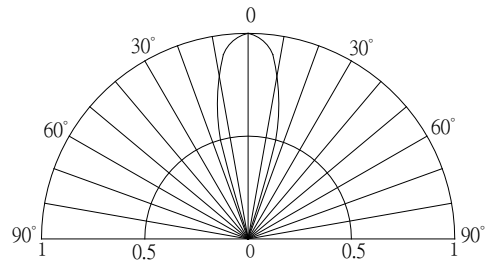
■Features

- Wide Input Voltage
- Cost Saving and Space Saving
- Color Transparent
- Single Color

■Applications

- Toys/Game/Audio
- TTL/Cmos Compatible
- Arduino/Pi Pico/Steam Kit
- Other Electronics Products

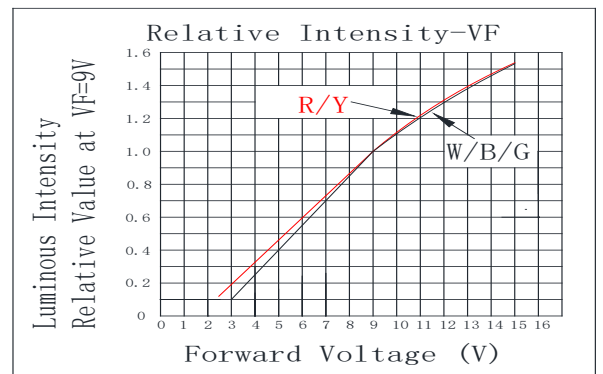
■Directivity



■Absolute Maximum Rating (Ta=25°C)

Item	Symbol	Value	Unit
DC Forward Voltage	V _F	15	V
Reverse Voltage	V _R	12	V
Power Dissipation	P _D	190	mW
Operating Temperature	T _{opr}	-30 ~ +85	°C
Storage Temperature	T _{stg}	-40 ~ +100	°C
Lead Soldering Temperature	T _{sol}	260°C/5sec	-

■Optical Characteristic Curves



■Electrical -Optical Characteristics (Ta=25°C)

3mm Multi-Voltage LED	Red	Yellow	Blue	Green	White
LED P/N	OSR53133A-VV	OSY53133A-VV	OSB53133A-VV	OSG53133A-VV	OSW53131A-VV
Light Color	Red	Yellow	Blue	Pure Green	Cool White
Lens Color	Red Transparent	Yellow Transparent	Blue Transparent	Green Transparent	Water Clear
Wavelength*1/Color Temperature*2	620-630nm	585-595nm	465-475nm	520-530nm	8500-18000K
Luminous Intensity(typ.)*3	2180mcd	2180mcd	1560mcd	4200mcd	4200mcd
Forward Voltage(typ.)	9V	9V	9V	9V	9V
Forward Current(typ.)	8mA	8mA	7.5mA	7.5mA	7.5mA
Viewing Angle(typ.)	30°	30°	30°	30°	30°
Quantity(pcs)/Box	50	50	50	50	50

*1 Tolerance of measurements of dominant wavelength is ±1nm
 *2 Tolerance of measurements of color temperature is ±10%
 *3 Tolerance of measurements of luminous intensity is ±15%