

■Description

- LED Kit contains 3mm & 5mm Multi-voltage DC3-15V LEDs
- 200pcs are supplied in a storage box for easy storage
- Wide input voltage range (3-15V)
- With built-in resistor, direct use
- Cost effective (save space and resistor cost)
- User-friendly
- Widely applied to project design, Arduino/Pi Pico/
Steam kit, TTL/Cmos compatible applications

■Features

- 3mm/5mm round standard 40°/50° directivity
- Red/Yellow/Blue/Pure Green/Cool White
- Color diffused type

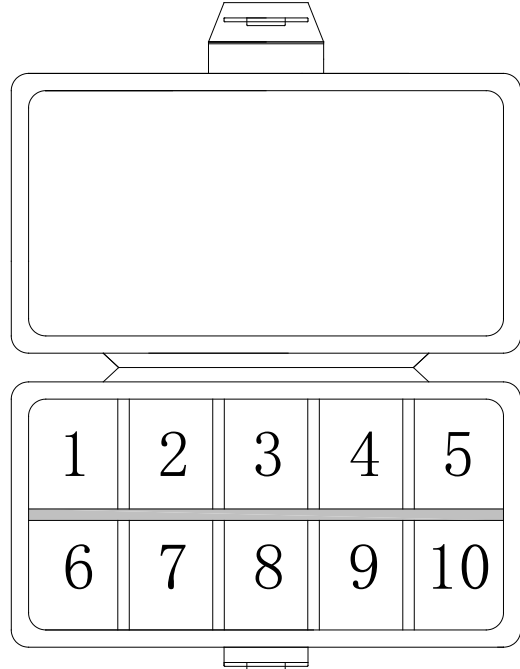
■Product Picture

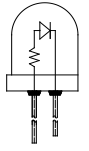
200pcs/Box (Dimensions: 130*90*18mm)



■Kit Contents

Section	Contents	Pcs	P/N	Spec
1	3mm Multi-voltage LED, Red	20	OSR53144A-VV	Page 2
2	3mm Multi-voltage LED, Yellow	20	OSY53144A-VV	
3	3mm Multi-voltage LED, Blue	20	OSB53144A-VV	
4	3mm Multi-voltage LED, Pure Green	20	OSG53144A-VV	
5	3mm Multi-voltage LED, Cool White	20	OSW53142A-VV	
6	5mm Multi-voltage LED, Red	20	OSR55154A-VV	Page 3
7	5mm Multi-voltage LED, Yellow	20	OSY55154A-VV	
8	5mm Multi-voltage LED, Blue	20	OSB55154A-VV	
9	5mm Multi-voltage LED, Pure Green	20	OSG55154A-VV	
10	5mm Multi-voltage LED, Cool White	20	OSW55152A-VV	

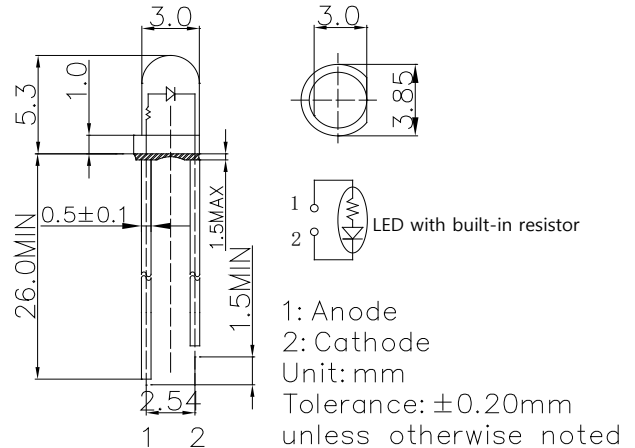




■Description

This LED builds with internal resistor to operate with wide operation voltage of DC3-15V.

■Outline Dimension



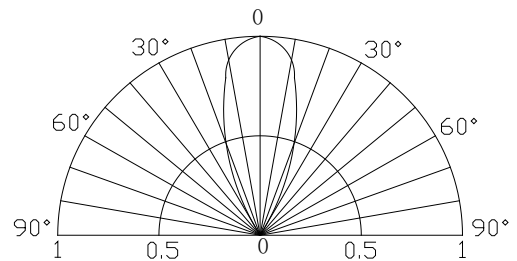
■Features

- Wide Input Voltage
- Cost Saving and Space Saving
- Color Diffused
- Single Color

■Applications

- Toys/Game/Audio
- TTL/Cmos Compatible
- Arduino/Pi Pico/Steam Kit
- Other Electronics Products

■Directivity

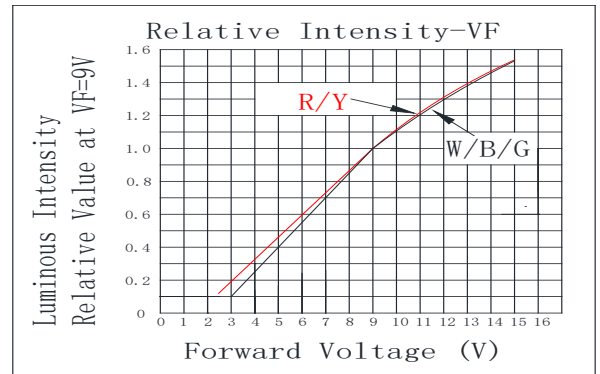


■Absolute Maximum Rating

(Ta=25°C)

Item	Symbol	Value	Unit
DC Forward Voltage	V _F	15	V
Reverse Voltage	V _R	12	V
Power Dissipation	P _D	190	mW
Operating Temperature	T _{opr}	-30 ~ +85	°C
Storage Temperature	T _{stg}	-40 ~ +100	°C
Lead Soldering Temperature	T _{sol}	260°C/5sec	-

■Optical Characteristic Curves



■Electrical -Optical Characteristics

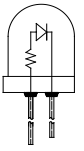
(Ta=25°C)

3mm Multi-Voltage LED					
LED P/N	OSR53144A-VV	OSY53144A-VV	OSB53144A-VV	OSG53144A-VV	OSW53142A-VV
Light Color	Red	Yellow	Blue	Pure Green	Cool White
Lens Color	Red Diffused	Yellow Diffused	Blue Diffused	Green Diffused	White Diffused
Wavelength*1/Color Temperature*2	620-630nm	585-595nm	465-475m	520-530nm	8500-18000K
Luminous Intensity(typ.)*3	400mcd	400mcd	300mcd	1560mcd	1560mcd
Forward Voltage(typ.)	9V	9V	9V	9V	9V
Forward Current(typ.)	8mA	8mA	7.5mA	7.5mA	7.5mA
Viewing Angle(typ.)	40°	40°	40°	40°	40°
Quantity(pcs)/Box	20	20	20	20	20

*1 Tolerance of measurements of dominant wavelength is ±1nm

*2 Tolerance of measurements of color temperature is ±10%

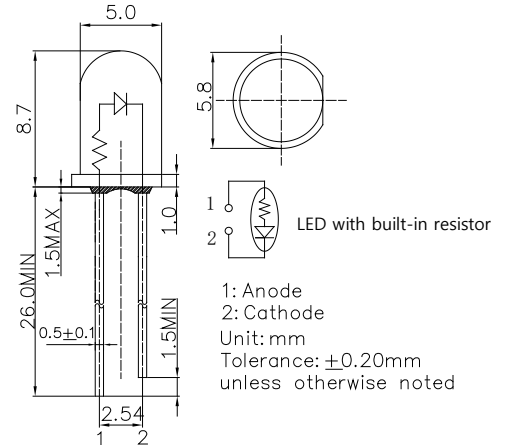
*3 Tolerance of measurements of luminous intensity is ±15%



■Description

This LED builds with internal resistor to operate with wide operation voltage of DC3-15V.

■Outline Dimension



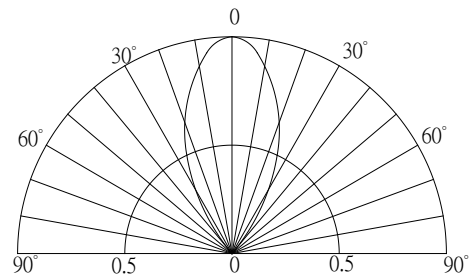
■Features

- Wide Input Voltage
- Cost Saving and Space Saving
- Color Diffused
- Single Color

■Applications

- Toys/Game/Audio
- TTL/Cmos Compatible
- Arduino/Pi Pico/Steam Kit
- Other Electronics Products

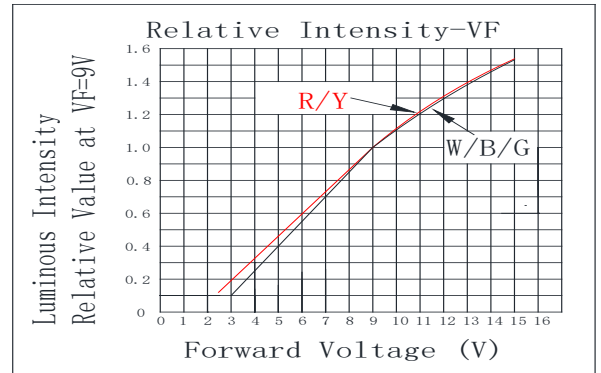
■Directivity



■Absolute Maximum Rating (Ta=25°C)

Item	Symbol	Value	Unit
DC Forward Voltage	V _F	15	V
Reverse Voltage	V _R	12	V
Power Dissipation	P _D	190	mW
Operating Temperature	Topr	-30 ~ +85	°C
Storage Temperature	Tstg	-40 ~ +100	°C
Lead Soldering Temperature	Tsol	260°C/5sec	-

■Optical Characteristic Curves



■Electrical -Optical Characteristics (Ta=25°C)

5mm Multi-Voltage LED					
LED P/N	OSR55154A-VV	OSY55154A-VV	OSB55154A-VV	OSG55154A-VV	OSW55152A-VV
Light Color	Red	Yellow	Blue	Pure Green	Cool White
Lens Color	Red Diffused	Yellow Diffused	Blue Diffused	Green Diffused	White Diffused
Wavelength*1/Color Temperature*2	620-630nm	585-595nm	465-475m	520-530nm	8500-18000K
Luminous Intensity(typ.)*3	220mcd	220mcd	150mcd	750mcd	750mcd
Forward Voltage(typ.)	9V	9V	9V	9V	9V
Forward Current(typ.)	8mA	8mA	7.5mA	7.5mA	7.5mA
Viewing Angle(typ.)	50°	50°	50°	50°	50°
Quantity(pcs)/Box	20	20	20	20	20

*1 Tolerance of measurements of dominant wavelength is ±1nm

*2 Tolerance of measurements of color temperature is ±10%

*3 Tolerance of measurements of luminous intensity is ±15%