

■ **Features**

- High Luminous LEDs
- 1.8\*7.05mm Tower Standard Directivity
- UV Resistant Epoxy
- Color Diffused Type (W,M,K: White Diffused)

■ **Applications**

- General Purpose Indicators
- Decorations
- Toys & Games
- General Use

■ **Absolute Maximum Rating**

(Ta=25°C)

Item	Symbol	Value		Unit
		W/M/K/B/PG	YG/Y/O/R	
DC Forward Current	I <sub>F</sub>	30	30	mA
Pulse Forward Current#	I <sub>FP</sub>	100	100	mA
Reverse Voltage	V <sub>R</sub>	5	5	V
Power Dissipation	P <sub>D</sub>	102	78	mW
Operating Temperature	Topr	-30 ~ +85		°C
Storage Temperature	Tstg	-40 ~ +100		°C
Lead Soldering Temperature	Tsol	260°C/5sec		-

#Pulse width Max.10ms Duty ratio max 1/10

■ **Electrical -Optical Characteristics**

(Ta=25°C)

Part Number	Color		V <sub>F</sub> (V)*			I <sub>R</sub> (μA)	I <sub>v</sub> (mcd)*			λ <sub>D</sub> (nm)*			2θ1/2(deg)	
			Min.	Typ.	Max.		Max.	Min.	Typ.	Max.	Min.	Typ.		Max.
			I <sub>F</sub> =20mA				V <sub>R</sub> =5V	I <sub>F</sub> =20mA						
OSW5YK7232B	White	W	-	2.9	3.4	10	500	750	-	X=0.27,Y=0.28			30	
OSM5YK7232B	Warm White	M	-	2.9	3.4	10	330	500	-	X=0.45,Y=0.41			30	
OSK5YK7232B	Pink	K	-	2.9	3.4	10	150	220	-	X=0.45,Y=0.17			30	
OSB5YU7234B	Blue	B	-	2.9	3.4	10	220	330	-	465	470	475	30	
OSG5TA7234B	Pure Green	PG	-	2.9	3.4	10	330	500	-	520	525	530	30	
OSG8HA7234B	Yellow Green	YG	-	2.1	2.6	10	100	150	-	565	570	575	30	
OSY5JA7234B	Yellow	Y	-	2.1	2.6	10	150	220	-	585	590	595	30	
OSO5JA7234B	Orange	O	-	2.1	2.6	10	150	220	-	600	605	610	30	
OSR5JA7234B	Red	R	-	2.1	2.6	10	150	220	-	620	625	630	30	

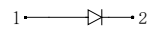
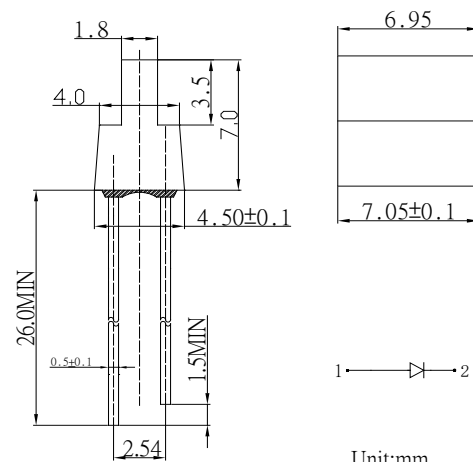
\*1 Tolerance of measurements of chromaticity coordinate is ±10%

\*3 Tolerance of measurements of luminous intensity is ±15%

\*2 Tolerance of measurements of dominant wavelength is ±1nm

\*4 Tolerance of measurements of forward voltage is ±0.1V

■ **Outline Dimension**



Unit:mm  
Tolerance:±0.30mm

■ **Directivity**

