

<b>0.28 Inch Three Digit Display</b>
<b>OSL30281-IX (Common Anode type)</b>
<b>OSL30281-LX (Common Cathode type)</b>

■ **Features**

- 0.28Inch Three Digit Display
- Long lifetime operation
- IC compatible
- Low power dissipation
- Black surface & white segment or dot

■ **Applications**







- Counting device
- Clock

■ **Absolute Maximum Rating** (Ta=25°C)

Item	Symbol	Value		Unit
		RA/R/Y/YG	G/B/W	
DC Forward Current	I <sub>F</sub>	20	20	mA
Pulse Forward Current#	I <sub>FP</sub>	100	100	mA
Reverse Voltage	V <sub>R</sub>	5	5	V
Power Dissipation	P <sub>t</sub>	44	66	mW
Operating Temperature	Topr	-30 ~ +70		°C
Storage Temperature	Tstg	-40~ +85		°C
Lead Soldering Temperature(1.6mm from seating plane)	Tsol	260°C/5sec		°C

#Pulse width Max.10ms Duty ratio max 1/10

■ **Electrical -Optical Characteristics** (Ta=25°C)

Part Number	Color		V <sub>F</sub> (V)			I <sub>R</sub> (μA)	I <sub>v</sub> (mcd)			λD(nm)			
			Min.	Typ.	Max.	Max.	Min.	Typ.	Max.	Min.	Typ.	Max.	
			I <sub>F</sub> =20mA			V <sub>R</sub> =5V	I <sub>F</sub> =20mA						
OSL30281-IW(LW)	White	W	-	3.3	3.6	20	-	65	-	X:0.27 Y:0.28			
OSL30281-IB(LB)	Blue	B		-	3.3	3.6	20	-	50	-	-	470	-
OSL30281-IG(LG)	Pure Green	G		-	3.3	3.6	20	-	200	-	-	525	-
OSL30281-IYG(LYG)	Yellow Green	YG		-	2.2	2.6	20	-	12	-	-	571	-
OSL30281-IY(LY)	Yellow	Y		-	2.1	2.5	20	-	60	-	-	590	-
OSL30281-IR(LR)	Red	R		-	2.1	2.5	20	-	20	-	-	630	-
OSL30281-IRA(LRA)	High Red	RA		-	2.1	2.5	20	-	100	-	-	625	-

\*1 Tolerance of measurements of chromaticity coordinate is ±10%

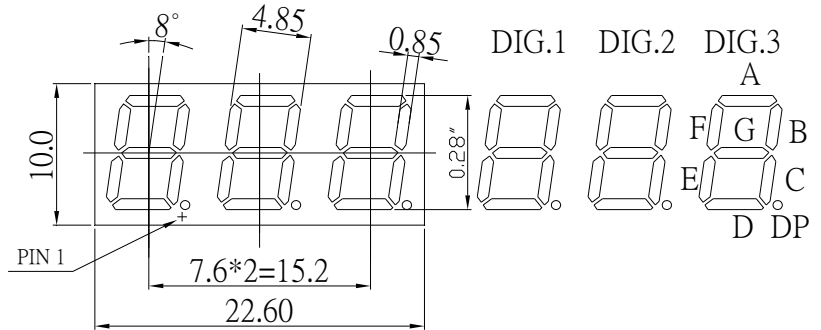
\*2 Tolerance of measurements of dominant wavelength is ±1nm

\*3 Tolerance of measurements of luminous intensity is ±15%

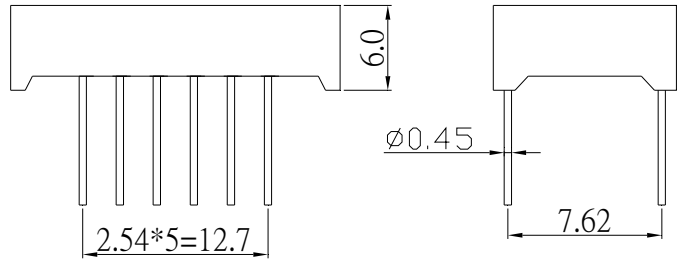
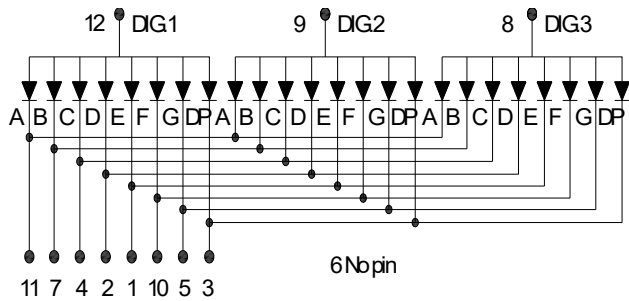
\*4 Tolerance of measurements of forward voltage is±0.1V

**■ Package Dimensions and Pin Function**

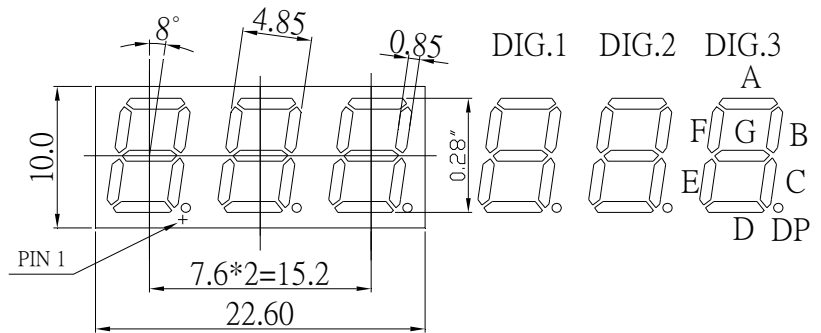
**OSL30281-IX  
(Common Anode type)**



Note:  
1, Unit : mm (Tolerance: ±0.25mm unless otherwise noted)  
2, The slope angle of any PIN may be ±5.0° Max



**OSL30281-LX  
(Common Cathode type)**



Note:  
1, Unit : mm (Tolerance: ±0.25mm unless otherwise noted)  
2, The slope angle of any PIN may be ±5.0° Max

