

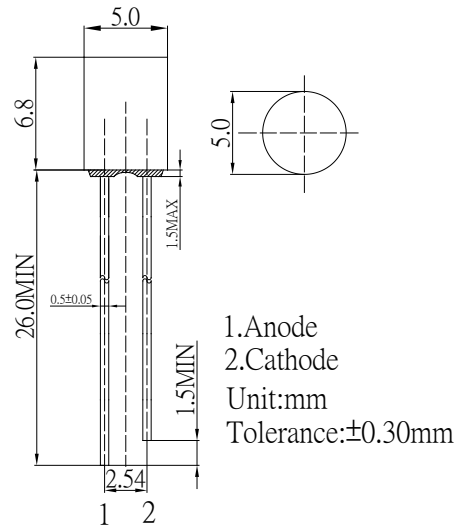
■ Features

- High Luminous LEDs
- 5mm Standard Directivity
- UV Resistant Epoxy
- Color Diffused (W,M: White Diffused)

■ Applications

- Toys & Games
- Indications
- Decorations

■ Outline Dimension

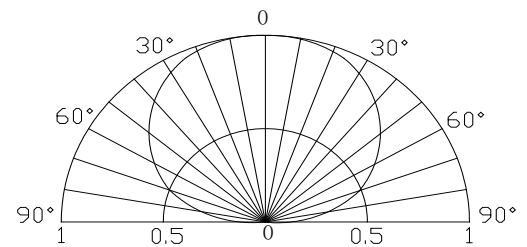


■ Absolute Maximum Rating

(Ta=25°C)

Item	Symbol	Value		Unit
		B/PG	YG/Y/O/R	
DC Forward Current	I _F	30	30	mA
Pulse Forward Current#	I _{FP}	100	100	mA
Reverse Voltage	V _R	5	5	V
Power Dissipation	P _D	102	78	mW
Operating Temperature	Topr	-30 ~ +85		°C
Storage Temperature	Tstg	-40 ~ +100		°C
Lead Soldering Temperature	Tsol	260°C/5sec		-

■ Directivity



#Pulse width Max.10ms Duty ratio max 1/10

■ Electrical -Optical Characteristics

(Ta=25°C)

Part Number	Color			V _F (V)			I _R (μA)	I _v (mcd)			λD (nm)			θ1/2 (deg)
				Min.	Typ.	Max.	Max.	Min.	Typ.	Max.	Min.	Typ.	Max.	Typ.
				I _F =20mA			V _R =5V	I _F =20mA						
OSB4YU5GE4B	Blue	B	■	-	3.1	3.4	10	150	220	-	455	460	465	140
OSG5TA5GE4B	Pure Green	PG	■	-	3.1	3.4	10	330	500	-	520	525	530	140
OSG8HA5GE4B	Yellow Green	YG	■	-	2.1	2.6	10	68	100	-	565	570	575	140
OSY5JA5GE4B	Yellow	Y	■	-	2.1	2.6	10	100	150	-	585	590	595	140
OSO5JA5GE4B	Orange	O	■	-	2.1	2.6	10	100	150	-	600	605	610	140
OSR5JA5GE4B	Red	R	■	-	2.1	2.6	10	100	150	-	620	625	630	140

*1 Tolerance of measurements of dominant wavelength is ±1nm

*2 Tolerance of measurements of luminous intensity is ±15%

*3 Tolerance of measurements of forward voltage is ±0.1V