

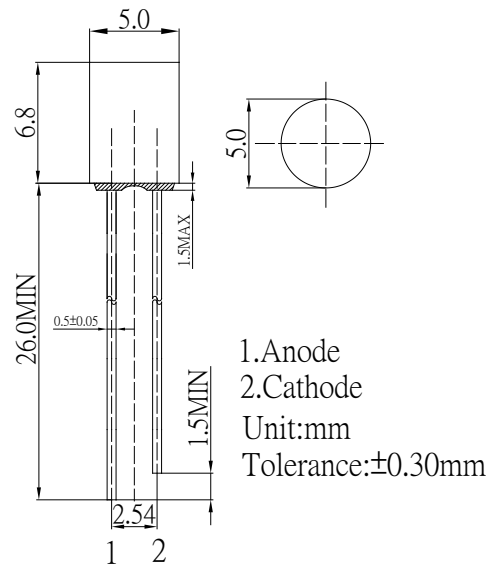
■ Features

- High Luminous LEDs
- 5mm Flat Top Standard Directivity
- UV Resistant Epoxy
- Color Diffused (W/M: White Diffused)

■ Applications

- Electronic Signs and Signals
- Small Area Illuminations
- Back Lighting
- Other Lighting

■ Outline Dimension

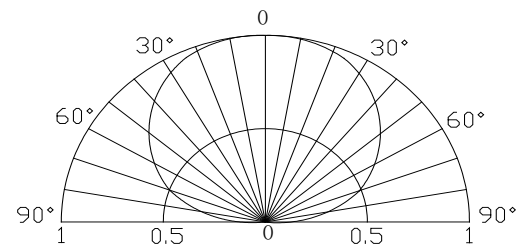


■ Absolute Maximum Rating

(Ta=25°C)

Item	Symbol	Value		Unit
		W/M/B/G	Y/O/R	
DC Forward Current	I _F	30	30	mA
Pulse Forward Current#	I _{FP}	100	100	mA
Reverse Voltage	V _R	5	5	V
Power Dissipation	P _D	102	78	mW
Operating Temperature	Topr	-30 ~ +85		°C
Storage Temperature	Tstg	-40 ~ +100		°C
Lead Soldering Temperature	Tsol	260°C/5sec		-

■ Directivity



#Pulse width Max.10ms Duty ratio max 1/10

■ Electrical -Optical Characteristics

(Ta=25°C)

Part Number	Color			V _F (V)*			I _R (μA)	I _v (mcd)*			λ _D (nm)*			θ1/2 (deg)
				Min.	Typ.	Max.	Max.	Min.	Typ.	Max.	Min.	Typ.	Max.	Typ.
				I _F =20mA			V _R =5V			I _F =20mA				
OSW5DK5GE2B	White	W		-	2.9	3.4	10	1120	1560	-	*CCT:8000-18000K			140
OSM5DK5GE2B	Warm White	M	☐	-	2.9	3.4	10	750	1120	-	*CCT:2700-3300K			140
OSB5SA5GE4B	Blue	B	☐	-	2.9	3.4	10	220	330	-	465	470	475	140
OSG5DA5GE4B	Pure Green	G	☐	-	2.9	3.4	10	750	1120	-	520	525	530	140
OSY5PA5GE4B	Yellow	Y	☐	-	2.1	2.6	10	330	500	-	585	590	595	140
OSO5PA5GE4B	Orange	O	☐	-	2.1	2.6	10	500	750	-	600	605	610	140
OSR5PA5GE4B	Red	R	☐	-	2.1	2.6	10	330	500	-	620	625	630	140

*1 Tolerance of measurements of dominant wavelength is ±1nm

*2 Tolerance of measurements of CCT is ±10%

*3 Tolerance of measurements of luminous intensity is ±15%

*4 Tolerance of measurements of forward voltage is ±0.1V