

■ **Features**

- 0.28 Inch Single Digit Display
- Long lifetime operation
- IC compatible
- Low power dissipation
- Black surface & white segment or dot
- Number of pins :8

■ **Applications**

- Counting device
- Clock

■ **Absolute Maximum Rating** (Ta=25°C)

Item	Symbol	Value		Unit
		RA/R/O/Y/YG	G/B/W	
DC Forward Current	I _F	20	20	mA
Pulse Forward Current#	I _{FP}	100	100	mA
Reverse Voltage	V _R	5	5	V
Power Dissipation	P _t	50	72	mW
Operating Temperature	T _{opr}	-30 ~ +70		°C
Storage Temperature	T _{stg}	-40 ~ +85		°C
Lead Soldering Temperature(1.6mm from seating plane)	T _{sol}	260°C/5sec		°C

#Pulse width Max.10ms Duty ratio max 1/10

■ **Electrical -Optical Characteristics** (Ta=25°C)

Part Number	Color		V _F (V)			I _R (μA)	I _v (mcd)			CCT(K)/λD(nm)		
			Min.	Typ.	Max.	Max.	Min.	Typ.	Max.	Min.	Typ.	Max.
			I _F =20mA			V _R =5V	I _F =20mA					
OSL10282-IW(LW)	White	W	-	3.1	3.4	10	-	65	-	CCT:8000-10000-18000K (X:0.27 Y:0.28)		
OSL10282-IB(LB)	Blue	B	-	3.1	3.4	10	-	50	-	455	465	475
OSL10282-IG(LG)	Pure Green	G	-	3.1	3.4	10	-	200	-	515	525	530
OSL10282-IYG(LYG)	Yellow Green	YG	-	3.1	3.4	10	-	12	-	565	570	575
OSL10282-IY(LY)	Yellow	Y	-	2.1	2.5	10	-	60	-	585	590	595
OSL10282-IO(LO)	Orange	O	-	2.1	2.5	10	-	70	-	600	605	610
OSL10282-IR(LR)	Red	R	-	2.1	2.5	10	-	26	-	620	630	640
OSL10282-IRA(LRA)	High Red	RA	-	2.1	2.5	10	-	100	-	620	625	630

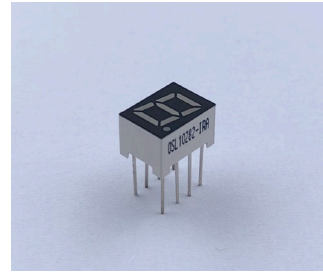
*1 Tolerance of measurements of chromaticity coordinate is ±10%

*2 Tolerance of measurements of dominant wavelength is ±1nm

*3 Tolerance of measurements of luminous intensity is ±15%

*4 Tolerance of measurements of forward voltage is±0.1V

■ **Photo**

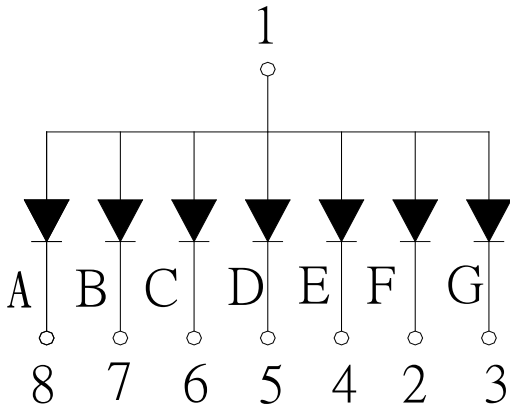
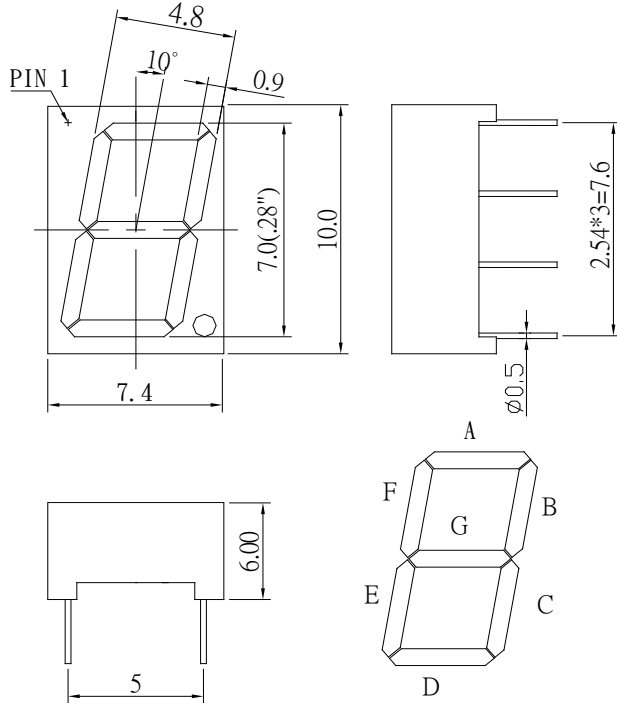


0.28 Inch Single Digit Display
OSL10281-IX (Common Anode type)
OSL10281-LX (Common Cathode type)

■ **Package Dimensions and Pin Function**

**OSL10281-IX
(Common Anode type)**

Note:
1, Unit : mm (Tolerance: ±0.25mm unless otherwise noted)
2, The slope angle of any PIN may be ±5.0° Max



**OSL10281-LX
(Common Cathode type)**

Note:
1, Unit : mm (Tolerance: ±0.25mm unless otherwise noted)
2, The slope angle of any PIN may be ±5.0° Max

