

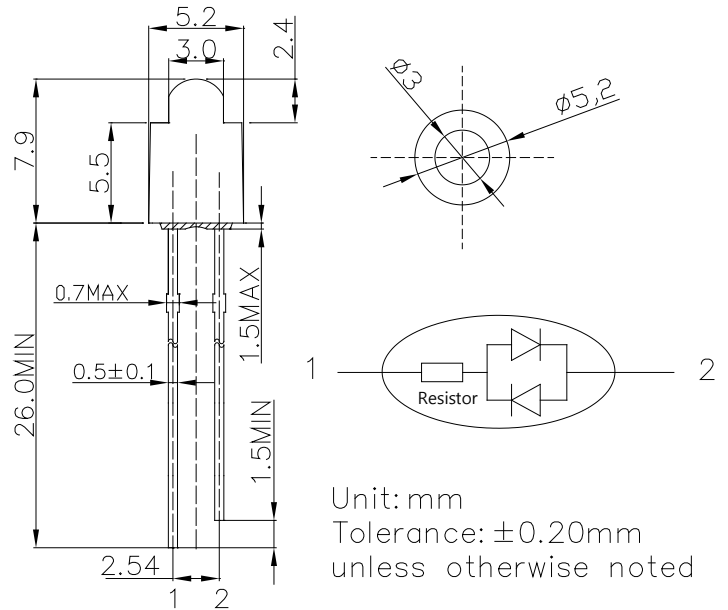
■ Features

- AC/DC Indicators LEDs
- 3mm Tower Standard
- UV Resistant Epoxy
- Cost Effective (Saves Space and Resistor Cost)
- Color Diffused

■ Applications

- Status Indicators
- General Use

■ Outline Dimension

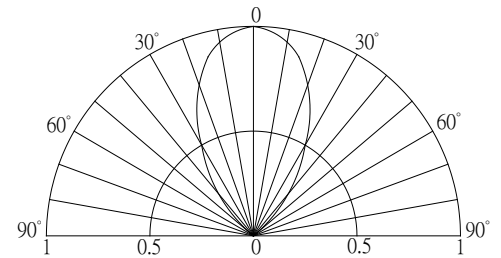


■ Absolute Maximum Rating

(Ta=25°C)

Item	Symbol	Value	Unit
AC/DC Forward Voltage	V _F	240	V
Power Dissipation	P _D	240	mW
Operating Temperature	T _{opr}	-30 ~ +85	°C
Storage Temperature	T _{stg}	-40 ~ +100	°C
Lead Soldering Temperature	T _{sol}	260°C/5sec	-

■ Directivity



■ Electrical -Optical Characteristics

(Ta=25°C)

Part Number	Color	I _F (mA)			I _v (mcd)*			λD(nm)*			2θ1/2(deg)
		Min	Typ.	Max.	Min.	Typ.	Max.	Min.	Typ.	Max.	Typ.
		V _F =220V			V _F =220V						
OSBBS26J64B-220V	Blue	-	0.8	1.0	-	100	-	465	470	475	60
OSPPD276J64B-220V	Pure Green	-	0.8	1.0	-	150	-	520	525	530	60
OSRRJ26J64B-220V	Red	-	0.8	1.0	-	45	-	620	625	630	60

*1 Tolerance of measurements of Domi. wavelength is ±1nm

*2 Tolerance of measurements of luminous intensity is ±15%