

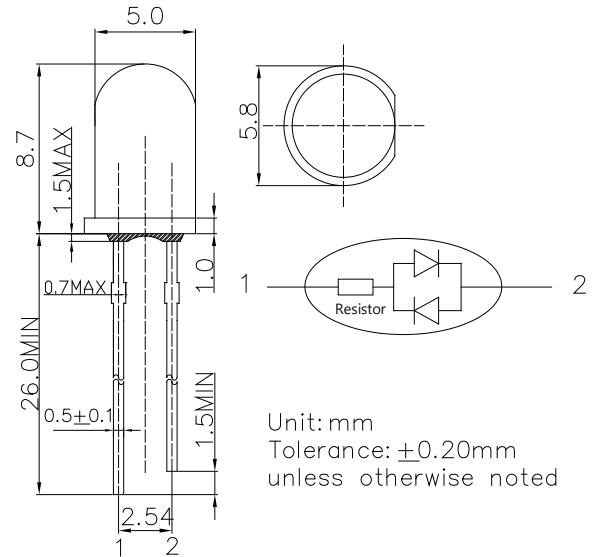
■ Features

- AC/DC Indicators LEDs
- 5mm Round Standard
- UV Resistant Epoxy
- Cost Effective (Saves Space and Resistor Cost)
- Color Diffused

■ Applications

- Status Indicators
- General Use

■ Outline Dimension

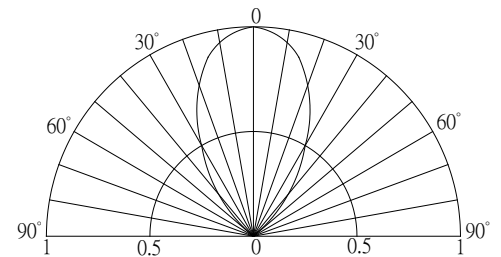


■ Absolute Maximum Rating

($T_a=25^\circ\text{C}$)




Item	Symbol	Value	Unit
AC/DC Forward Voltage	V_F	240	V
Power Dissipation	P_D	240	mW
Operating Temperature	T_{opr}	$-30 \sim +85$	$^\circ\text{C}$
Storage Temperature	T_{stg}	$-40 \sim +100$	$^\circ\text{C}$
Lead Soldering Temperature	T_{sol}	$260^\circ\text{C}/5\text{sec}$	-

■ Directivity



■ Electrical -Optical Characteristics

($T_a=25^\circ\text{C}$)

Part Number	Color		I_F (mA)			I_v (mcd)*			λ_D (nm)*			$2\theta_{1/2}$ (deg)
			Min	Typ.	Max.	Min.	Typ.	Max.	Min.	Typ.	Max.	Typ.
			$V_F = 220\text{V}$			$V_F = 220\text{V}$						
OSBBS25A64A-220V	Blue		-	0.8	1.0	-	100	-	465	470	475	60
OSPPD25A64A-220V	Pure Green		-	0.8	1.0	-	150	-	520	525	530	60
OSRRJ25A64A-220V	Red		-	0.8	1.0	-	45	-	620	625	630	60

*1 Tolerance of measurements of Domi. wavelength is $\pm 1\text{nm}$

*2 Tolerance of measurements of luminous intensity is $\pm 15\%$