

■ **Features**

- High Luminous LEDs
- 5mm Round Standard Directivity
- UV Resistant Epoxy
- Bi-polar Type
- Water Clear Body with Milky Top

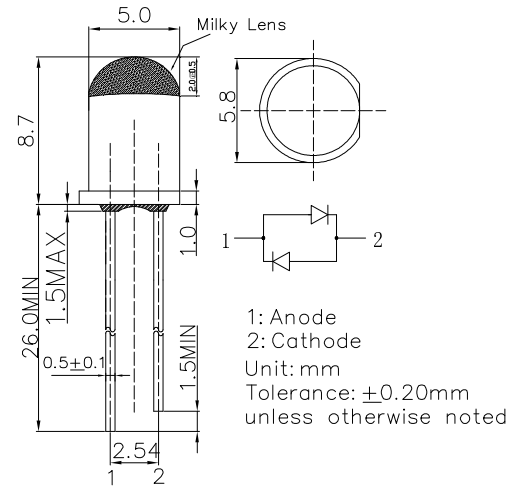
■ **Applications**

- Electronic Signs And Signals
- Small Area Illuminations
- Back Lighting
- Other Lighting

■ **Photo**



■ **Outline Dimension**

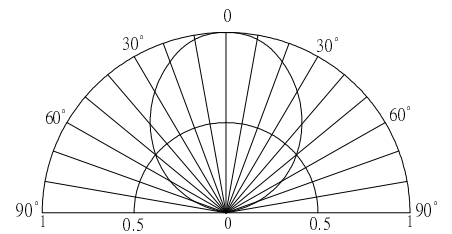


■ **Absolute Maximum Rating**

(Ta=25°C)

Item	Symbol	Value		Unit
		W/M/BL/PG	Y/R	
DC Forward Current	I <sub>F</sub>	30	30	mA
Pulse Forward Current*	I <sub>FP</sub>	100	100	mA
Reverse Voltage	V <sub>R</sub>	5	5	V
Power Dissipation	P <sub>D</sub>	102	78	mW
Operating Temperature	T <sub>opr</sub>	-30 ~ +85		°C
Storage Temperature	T <sub>stg</sub>	-40~ +100		°C
Lead Soldering Temperature	T <sub>sol</sub>	260°C/5sec		-

■ **Directivity**



\*Pulse width Max.10ms Duty ratio max 1/10

■ **Electrical -Optical Characteristics**

(Ta=25°C)

Part Number	Color		V <sub>F</sub> (V)			I <sub>R</sub> (μA)	I <sub>v</sub> (mcd)			CCT(K)/Wd(nm)*			2θ1/2(deg)
			Min.	Typ.	Max.	Max.	Min.	Typ.	Max.	Min.	Typ.	Max.	Typ.
			I <sub>F</sub> =20mA			V <sub>R</sub> =5V	I <sub>F</sub> =20mA						
OSWWD251A5A	White	W	-	2.9	3.4	10	4200	5800	-	8500-18000K(X:0.27,Y:0.28)			100
OSMMD251A5A	Warm White	M	-	2.9	3.4	10	3000	4200	-	2700-3200K(X:0.44,Y:0.41)			100
OSBBS251A5A	Blue	BL	-	2.9	3.4	10	1560	2180	-	465	470	475	100
OSGGD251A5A	Pure Green	PG	-	2.9	3.4	10	2180	3000	-	520	525	530	100
OSYYP251A5A	Yellow	Y	-	2.1	2.6	10	1560	2180	-	585	590	595	100
OSOOP251A5A	Orange	O	-	2.1	2.6	10	1560	2180	-	600	605	610	100
OSRRP251A5A	Red	R	-	2.1	2.6	10	1560	2180	-	620	625	630	100

\*1 Tolerance of measurements of chromaticity coordinate is ±10%

\*2 Tolerance of measurements of dominant wavelength is ±1nm

\*3 Tolerance of measurements of luminous intensity is ±15%

\*4 Tolerance of measurements of forward voltage is ±0.1V