

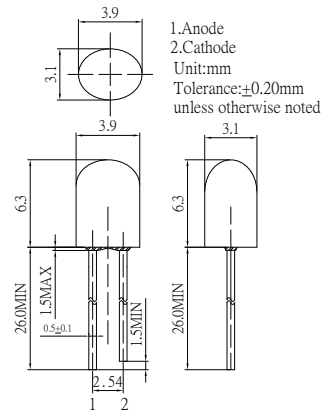
■ **Features**

- High Luminous LED
- 3.9x3.1mm Round Standard Directivity
- Long Lifetime Operation
- Superior UV Resistance
- Color Diffused / White Diffused (W, M only)

■ **Applications**

- Electronic Signs and Signals
- Small Area Illuminations
- Back Lighting
- Other Lighting

■ **Outline Dimension**

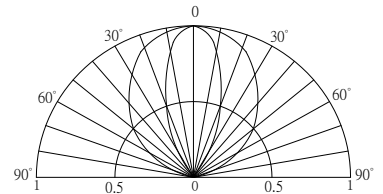


■ **Absolute Maximum Rating**

(Ta=25°C)

Item	Symbol	Value		Unit
		W/M/B/PG	Y/O/R	
DC Forward Current	I <sub>F</sub>	30	30	mA
Pulse Forward Current#	I <sub>FP</sub>	100	100	mA
Reverse Voltage	V <sub>R</sub>	5	5	V
Power Dissipation	P <sub>D</sub>	102	78	mW
Operating Temperature	T <sub>opr</sub>	-30 ~ +85		°C
Storage Temperature	T <sub>stg</sub>	-40 ~ +100		°C
Lead Soldering Temperature	T <sub>sol</sub>	260°C/5sec		-

■ **Directivity**



#Pulse width Max 0.1ms, Duty ratio max 1/10

■ **Electrical -Optical Characteristics**

(Ta=25°C)

Part Number	Color		V <sub>F</sub> (V)			I <sub>R</sub> (μA)	I <sub>v</sub> (mcd)*			λ <sub>D</sub> (nm)*			2θ1/2(deg)
			Min.	Typ.	Max.	Max.	Min.	Typ.	Max.	Min.	Typ.	Max.	Typ.
			I <sub>F</sub> =20mA			V <sub>R</sub> =5V		I <sub>F</sub> =20mA					
OSW5DK43A2B	White	W	-	2.9	3.4	10	2180	3000	-	8500-18000K			100/40
OSM5DK43A2B	Warm White	M	-	2.9	3.4	10	1560	2180	-	2700-3200K			100/40
OSB5SA43A4B	Blue	B	-	2.9	3.4	10	1120	1560	-	465	470	475	100/40
OSG5DA43A4B	Pure Green	PG	-	2.9	3.4	10	2180	3000	-	520	525	530	100/40
OSY5RU43A4B	Yellow	Y	-	2.1	2.6	10	330	500	-	585	590	595	100/40
OSY5PA43A4B	Yellow	Y	-	2.1	2.6	10	1120	1560	-	585	590	595	100/40
OSO5JA43A4B	Orange	O	-	2.1	2.6	10	330	500	-	600	605	610	100/40
OSO5PA43A4B	Orange	O	-	2.1	2.6	10	1120	1560	-	600	605	610	100/40
OSR5RU43A4B	Red	R	-	2.1	2.6	10	330	500	-	620	625	630	100/40
OSR5PA43A4B	Red	R	-	2.1	2.6	10	1120	1560	-	620	625	630	100/40

\*1 Tolerance of measurements of Domi. wavelength is ±1nm

\*2 Tolerance of measurements of chromaticity coordinates is ±10%

\*3 Tolerance of measurements of luminous intensity is ±15%

\*4 Tolerance of measurements of forward voltage is ±0.1V