

■Features

- High Luminous LEDs
- 5mm Flat Top Standard Directivity
- UV Resistant Epoxy
- Water Clear Body with Milky Lens

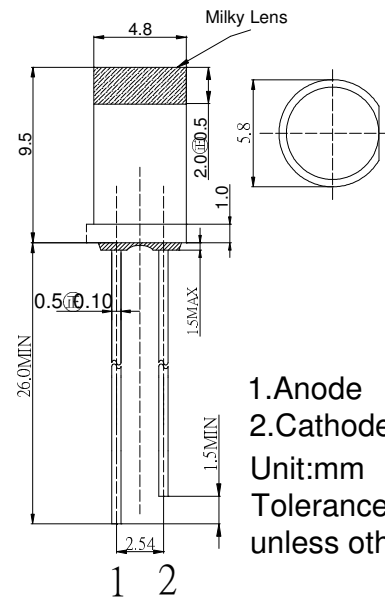
■Applications

- Electronic Signs And Signals
- Small Area Illuminations
- Back Lighting
- Other Lighting

■Photo



■Outline Dimension



1. Anode
2. Cathode
Unit: mm
Tolerance: ± 0.20 mm
unless otherwise noted

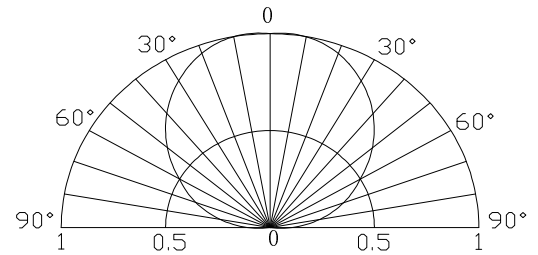
■Absolute Maximum Rating

(Ta=25°C)

Item	Symbol	Value		Unit
		W/M/BL/PG	Y/O/R	
DC Forward Current	I _F	30	30	mA
Pulse Forward Current#	I _{FP}	100	100	mA
Reverse Voltage	V _R	5	5	V
Power Dissipation	P _D	102	78	mW
Operating Temperature	T _{opr}	-30 ~ +85		°C
Storage Temperature	T _{stg}	-40 ~ +100		°C
Lead Soldering Temperature	T _{sol}	260°C/5sec		-

#Pulse width Max.10ms Duty ratio max 1/10

■Directivity



■Electrical -Optical Characteristics

(Ta=25°C)

Part Number	Color		V _F (V)			I _R (μA)	I _v (mcd)			CCT(K)/Wd(nm)*			2θ1/2(deg)
			Min.	Typ.	Max.	Max.	Min.	Typ.	Max.	Min.	Typ.	Max.	Typ.
			I _F =20mA			V _R =5V		I _F =20mA					
OSW5DK5TC5A	White	W	-	2.9	3.4	10	1120	1560	-	8500-18000K(X:0.27, Y:0.28)			120
OSM5DK5TC5A	Warm White	M	-	2.9	3.4	10	750	1120	-	2700-3200K(X:0.44, Y:0.41)			120
OSB5SA5TC5A	Blue	BL	-	2.9	3.4	10	500	750	-	465	470	475	120
OSG5DA5TC5A	Pure Green	PG	-	2.9	3.4	10	750	1120	-	520	525	530	120
OS5YEA5TC5A	Yellow	Y	-	2.1	2.6	10	750	1120	-	585	590	595	120
OS5OPM5TC5A	Orange	O	-	2.1	2.6	10	750	1120	-	600	605	610	120
OS5REA5TC5A	Red	R	-	2.1	2.6	10	750	1120	-	620	625	630	120

*1 Tolerance of measurements of chromaticity coordinate is $\pm 10\%$

*2 Tolerance of measurements of dominant wavelength is ± 1 nm

*3 Tolerance of measurements of luminous intensity is $\pm 15\%$

*4 Tolerance of measurements of forward voltage is ± 0.1 V