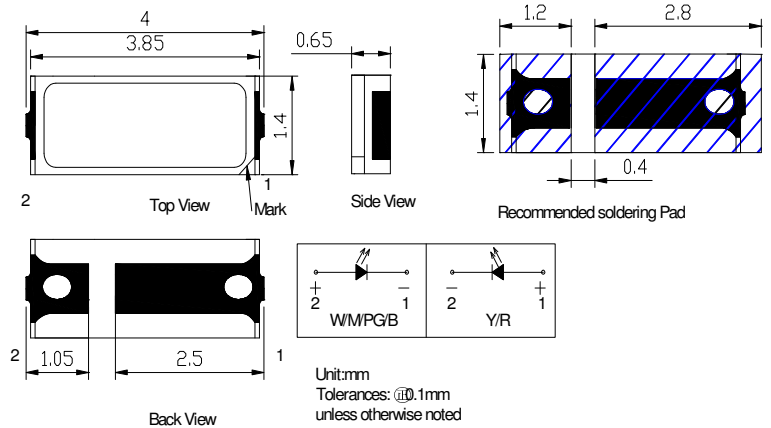


■Features

- Top view SMD LED (4.0 x 1.4 x 0.65mm)
- Super high brightness of surface mount LED
- Lead frame package with individual 2 pins
- Compatible to IR reflow soldering.

■Outline Dimension



■Applications

- Backlight
- Automotive lighting
- Indoor display

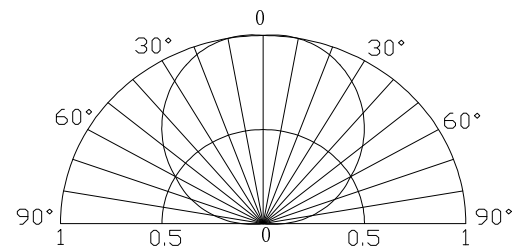
■Absolute Maximum Rating

(Ta=25°C)

Item	Symbol	Value		Unit
		W/M/B/PG	Y/R	
DC Forward Current	I _F	70	70	mA
Pulse Forward Current#	I _{FP}	100	100	mA
Reverse Voltage	V _R	5	5	V
Power Dissipation	P _D	252	196	mW
Operating Temperature	Topr	-40 ~ +85		°C
Storage Temperature	Tstg	-40~ +85		°C
Lead Soldering Temperature	Tsol	260°C/10sec		-

#Pulse width Max 0.1ms, Duty ratio max 1/10

■Directivity



■Electrical -Optical Characteristics

(Ta=25°C)

Part Number	Color			V _F (V)*			I _R (μA)	Φ _v (lm)*			WD(nm)/CCT(K)*			2θ1/2(deg)
				Min.	Typ.	Max.	Max.	Min.	Typ.	Max.	Min.	Typ.	Max.	Typ.
				I _F =60mA			V _R =5V		I _F =60mA					
OSW44014C1A-60MA	White	W		2.8	3.2	3.6	10	20	22	-	5500K	6500	7000K	120
OSM74014C1A-60MA	Natural White	M	■	2.8	3.2	3.6	10	18	20	-	3700K	4000	4300K	120
OSM54014C1A-60MA	Warm White	M	■	2.8	3.2	3.6	10	18	20	-	2800K	3000	3200K	120
OSB44014C1A-60MA	Blue	B	■	2.8	3.2	3.6	10	2	4	-	455	460	465	120
OSG54014C1A-60MA	Pure Green	PG	■	2.8	3.2	3.6	10	12	14	-	515	520	530	120
OSY54014C1A-60MA	Yellow	Y	■	2.0	2.4	2.8	10	4	6	-	585	590	595	120
OSR54014C1A-60MA	Red	R	■	2.0	2.4	2.8	10	4	6	-	620	625	630	120

*1 Tolerance of measurements of chromaticity coordinate is ±10%

*2 Tolerance of measurements of dominant wavelength is ±1nm

*3 Tolerance of measurements of luminous flux is ±15%

*4 Tolerance of measurements of forward voltage is ±0.1V