

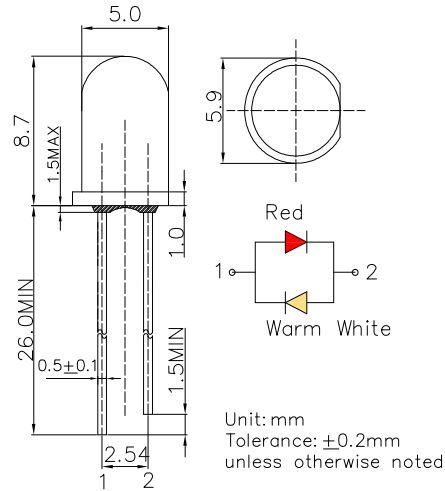
**■Features**

- High Luminous LEDs
- 5mm Round Standard Directivity
- UV Resistant Epoxy
- White Diffused Type
- Bi-polar Type

**■Applications**

- Toys
- Games
- Audio
- Other Lighting

**■Outline Dimension**

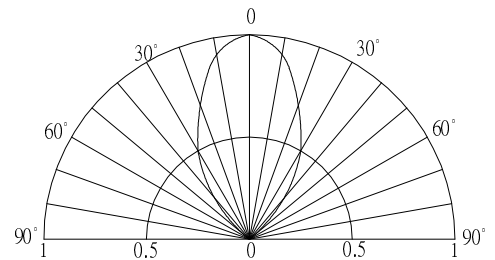


**■Absolute Maximum Rating (Ta=25°C)**

Item	Symbol	Value		Unit
		Red	Warm White	
DC Forward Current	I <sub>F</sub>	30	30	mA
Pulse Forward Current#	I <sub>FP</sub>	100	100	mA
Reverse Voltage	V <sub>R</sub>	5	5	V
Power Dissipation	P <sub>D</sub>	78	102	mW
Operating Temperature	Topr	-30~ +85		°C
Storage Temperature	Tstg	-40 ~ +100		°C
Lead Soldering Temperature	Tsol	260°C/5sec		-

#Pulse width Max.10ms Duty ratio max 1/10

**■Directivity**



**■Electrical -Optical Characteristics (Ta=25°C)**

Item	Symbol	Condition	Min.	Typ.	Max.	Unit
DC Forward Voltage*1	V <sub>F</sub> (Red)	I <sub>F</sub> =20mA	-	2.1	2.6	V
	V <sub>F</sub> ( WW)	I <sub>F</sub> =20mA	-	2.9	3.4	V
DC Reverse Current	I <sub>R</sub>	V <sub>R</sub> =5V	-	-	10	μA
Domi. Wavelength*2	λ <sub>D</sub> (Red)	I <sub>F</sub> =20mA	620	625	630	nm
Color Temperature*3	CCT( WW)	I <sub>F</sub> =20mA	2700	3000	3300	K
Chromaticity Coordinates	x( WW)	I <sub>F</sub> =20mA	-	0.45	-	
	y( WW)	I <sub>F</sub> =20mA	-	0.41	-	
Luminous Intensity*4	I <sub>v</sub> (Red)	I <sub>F</sub> =20mA	1120	1560	-	mc
	I <sub>v</sub> (WW)	I <sub>F</sub> =20mA	1120	1560	-	mc
50% Power Angle	2θ1/2	I <sub>F</sub> =20mA	-	60	-	deg

\*1 Tolerance of measurements of forward voltage is ±0.1V

\*2 Tolerance of measurements of dominant wavelength is ±1nm

\*3 Tolerance of measurements of color temperature ±10%

\*4 Tolerance of measurements of luminous intensity is ±15%