

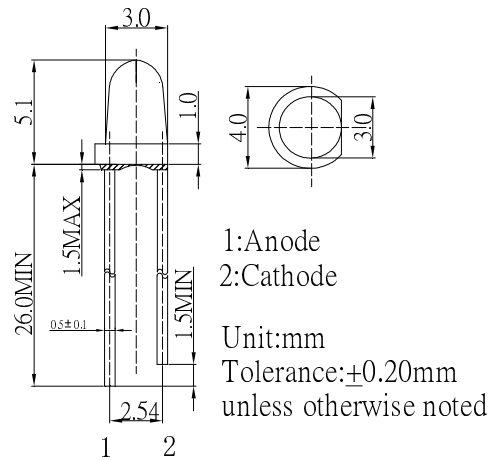
■ Features

- High Lumen LEDs
- 3mm Bullet Standard Directivity
- UV Resistant Epoxy
- Water Clear Type

■ Applications

- Advertising Board
- Horticulture Application
- Traffic Light / Signal Light
- Beauty product
- Other Lighting

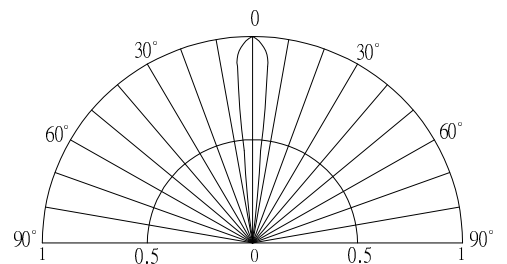
■ Outline Dimension



■ Absolute Maximum Rating (Ta=25°C)

| Item | Symbol | Value | | Unit |
|----------------------------|-----------------|------------|-------|------|
| | | W/M/B/PG | Y/O/R | |
| DC Forward Current | I _F | 30 | 30 | mA |
| Pulse Forward Current# | I _{FP} | 100 | 100 | mA |
| Reverse Voltage | V _R | 5 | 5 | V |
| Power Dissipation | P _D | 102 | 78 | mW |
| Operating Temperature | Topr | -30 ~ +85 | | °C |
| Storage Temperature | Tstg | -40~ +100 | | °C |
| Lead Soldering Temperature | Tsol | 260°C/5sec | | - |

■ Directivity



#Pulse width Max.10ms Duty ratio max 1/10

■ Electrical -Optical Characteristics (Ta=25°C)

| Part Number | Color | | V _F (V) | | | I _R (μA) | Φ v(lm) | | | I _v (cd) | | | WD(nm)/CCT(K) | | | 2θ1/2(deg) |
|-------------|------------|----|----------------------|------|------|---------------------|----------------------|------|------|---------------------|------|------|------------------------------|------|------|------------|
| | | | Min. | Typ. | Max. | Max. | Min. | Typ. | Max. | Min. | Typ. | Max. | Min. | Typ. | Max. | Typ. |
| | | | I _F =30mA | | | V _R =5V | I _F =30mA | | | | | | | | | |
| OSW44P3211A | White | W | - | 2.9 | 3.4 | 10 | 8.5 | 10 | - | 18 | 22 | - | X:0.31,Y0.33(CCT:5500-8500K) | | | 15 |
| OSM54P3211A | Warm White | M | - | 2.9 | 3.4 | 10 | 8.5 | 10 | - | 18 | 22 | - | X:0.44,Y0.41(CCT:2700-3300K) | | | 15 |
| OSB56P3211A | Blue | B | - | 2.9 | 3.4 | 10 | 2.5 | 3.0 | - | 8.4 | 10 | - | 465 | 470 | 475 | 15 |
| OSG5GP3211A | Pure Green | PG | - | 2.9 | 3.4 | 10 | 8 | 10 | - | 36 | 43 | - | 520 | 525 | 530 | 15 |
| OS5YKP3211A | Yellow | Y | - | 2.1 | 2.6 | 10 | 3.5 | 4.5 | - | 18 | 22 | - | 585 | 590 | 595 | 15 |
| OS5OKP3211A | Orange | O | - | 2.1 | 2.6 | 10 | 3.5 | 4.5 | - | 18 | 22 | - | 600 | 605 | 610 | 15 |
| OS5RKP3211A | Red | R | - | 2.1 | 2.6 | 10 | 3.5 | 4.5 | - | 18 | 22 | - | 620 | 625 | 630 | 15 |

*1 Tolerance of measurements of chromaticity coordinates is ±10%

*2 Tolerance of measurements of dominant wavelength is ±1nm

*3 Tolerance of measurements of luminous intensity is ±15%

*4 Tolerance of measurements of forward voltage is ±0.1V