

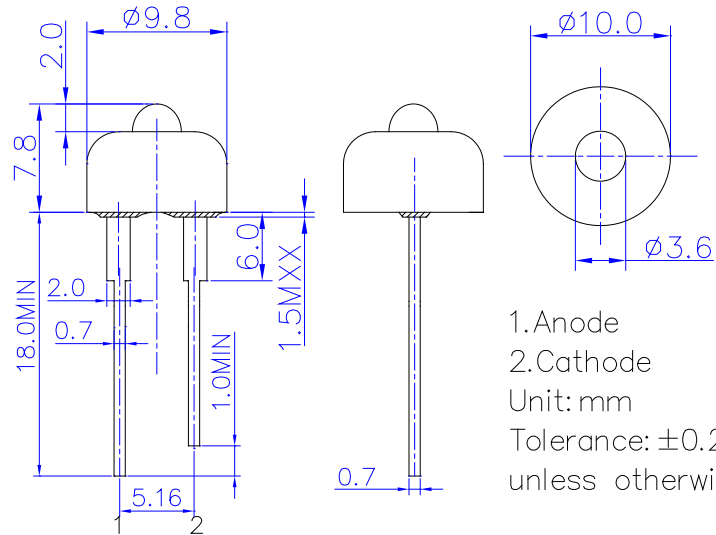
■Features

- High Lumen Output LEDs
- 10mm Round Standard Directivity
- UV Resistant Epoxy
- Water Clear Type
- Narrow Viewing Angle

■Applications

- Signage and channel letter
- Decorating and entertainment lighting
- Architectural lighting
- Outdoor/Indoor applications/Other Lighting
- Electric torch

■Outline Dimension



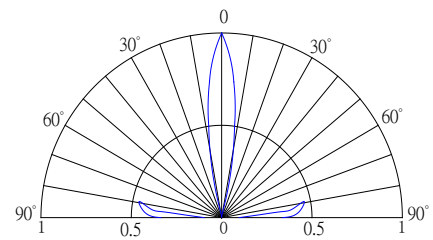
■Absolute Maximum Rating

(Ta=25°C)

Item	Symbol	Value	Unit
DC Forward Current	I _F	150	mA
Pulse Forward Current#	I _{FP}	200	mA
Reverse Voltage	V _R	5	V
Power Dissipation	P _D	540	mW
Operating Temperature	T _{opr}	-30 ~ +85	°C
Storage Temperature	T _{stg}	-30 ~ +85	°C
Lead Soldering Temperature	T _{sol}	260°C/5sec	-

#Pulse width Max 10ms , Duty ratio max 1/10

■Directivity



■Electrical -Optical Characteristics (Ta=25°C)

Part Number	Color		V _F (V)*			Φ _v (lm)*			CCT(K)*			I _v (mcd)*	I _R (uA)	2θ1/2(deg)
			Min.	Typ.	Max.	Min.	Typ.	Max.	Min.	Typ.	Max.	Typ..	Max.	Typ.
			I _F =120mA			I _F =120mA						V _R =5V		
OSM5XAAC21U	Warm White	M5	2.8	3.3	3.6	40	45	-	2500	3000	3500	80000	10	17
OSW4XAAC21U	Pure White	W4	2.8	3.3	3.6	43	48	-	5500	6500	8000	90000	10	17
OSW5XAAC21U	Cool White	W5	2.8	3.3	3.6	40	45	-	8000	10000	17000	80000	10	17

*1 Tolerance of measurements of chromaticity coordinates is ±10%

*2 Tolerance of measurements of luminous intensity is ±15%

*3 Tolerance of measurements of forward voltage is ±0.1V