

BA9S DC Bayonet type LED Lamp

BA9S DC Bayonet type LED Lamp is LED which requires a resistor in series to permit direct connection to DC 3.0V.

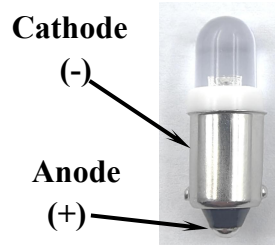
■ Features

- High Luminous Intensity
- 8mm Round LED
- Color Transparent
- DC 3.0V

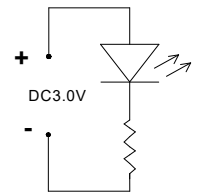
■ Applications

- Bicycle Light / Torch
- Dashboard Signal / Automotive Lighting

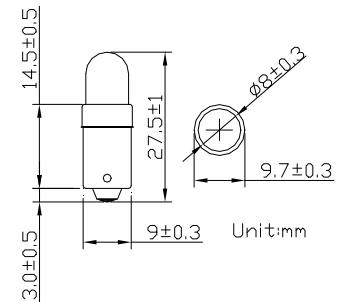
Photo



Circuit Diagram



Outline Dimension

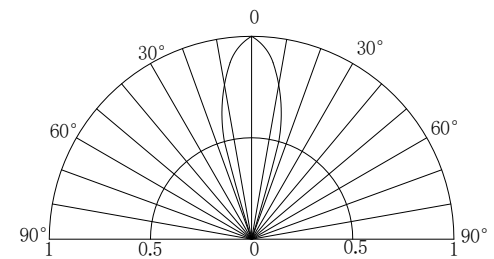


■ Absolute Maximum Rating

(Ta=25°C)

| Item | Symbol | Value | Unit |
|----------------------------|------------------|------------|------|
| DC Forward Voltage | V _F | 3.2 | V |
| DC Forward Current | I _F | 30 | mA |
| Power Dissipation | P _D | 0.096 | W |
| Operating Temperature | T _{opr} | -30 ~ +85 | °C |
| Storage Temperature | T _{stg} | -40 ~ +100 | °C |
| Lead Soldering Temperature | T _{sol} | 260°C/5sec | - |

■ Directivity



■ Electrical -Optical Characteristics

(Ta=25°C)

| Part Number | Emitting Color | | Lens Type | Control Voltage DC (V)* | | | Wd(nm)/CCT(K)* | | | Luminous Intensity* (mcd) | | |
|----------------|----------------|---|--------------------|-------------------------|------|------|---------------------------------------|------|------|---------------------------|-------|------|
| | | | | Min. | Typ. | Max. | Working Current: I _F =20mA | | | Min. | Typ. | Max. |
| | | | | | | | Min. | Typ. | Max. | | | |
| OEDY-W54K8B31F | Cool White | | Water Clear | - | 3.0 | 3.2 | CCT:8500-18000K | | | 20000 | 25000 | - |
| OEDY-W44K8B31F | Pure White | | Water Clear | | | | CCT:5500-8500K | | | 20000 | 25000 | - |
| OEDY-M54K8B31F | Warm White | ■ | Water Clear | | | | CT:2700-3300K | | | 20000 | 25000 | - |
| OEDY-B5DA8B33F | Blue | ■ | Blue Transparent | | | | 465 | 470 | 475 | 10000 | 12000 | - |
| OEDY-G58A8B33F | Green | ■ | Green Transparent | | | | 520 | 525 | 530 | 20000 | 25000 | - |
| OEDY-Y5PA8B33F | Yellow | ■ | Yellow Transparent | | | | 585 | 590 | 595 | 12000 | 14400 | - |
| OEDY-O5PA8B33F | Orange | ■ | Orange Transparent | | | | 600 | 605 | 610 | 12000 | 14400 | - |
| OEDY-R5PA8B33F | Red | ■ | Red Transparent | | | | 620 | 625 | 630 | 12000 | 14400 | - |

*1 Tolerance of measurements of luminous intensity is +15%

*2 Tolerance of measurements of forward voltage is ±0.1V

*3 Tolerance of measurements of dominant wavelength is ±1nm

*4 Tolerance of measurements of color temperature is ±10%