

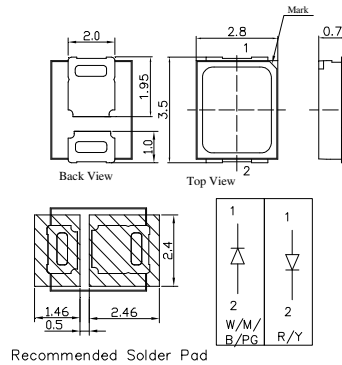
2835 SMD LED KIT



Item No.: OKLEDSS1206D

■ Outline Dimension

120pcs/Box (Dimensions:67**49*23mm)



Unit:mm
Tolerance: @0.20mm
unless otherwise noted

■ Description

- 120pcs standard 2835 SMD LED are supplied in a storage box
- Easy to use and storage
- Widely applied to DIY projects, school science experiments, car decorations, etc.

■ Features

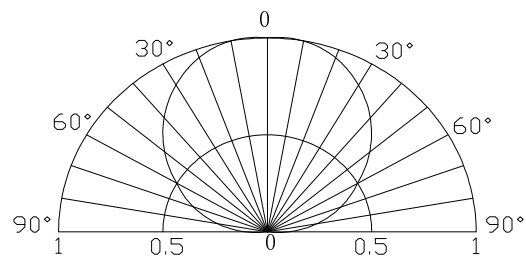
- 2.8x3.5x0.7mm standard 120° directivity
- Superior UV Resistance
- Red/Yellow/Pure Green/Blue/Warm White/White
- Water clear/Yellow diffused

■ Absolute Maximum Rating (Ta=25°C)

Item	Symbol	Value		Unit
		B/G/M/W	R/Y	
DC Forward Current	I _F	80	80	mA
Pulse Forward Current#	I _{FP}	150	150	mA
Reverse Voltage	V _R	5	5	V
Power Dissipation	P _D	272	192	mW
Operating Temperature	Topr	-30 ~ +85		°C
Storage Temperature	Tstg	-40~ +100		°C
Lead Soldering Temperature	Tsol	260°C/10sec		-

#Pulse width Max.10ms Duty ratio max 1/10

■ Directivity



■ Electrical -Optical Characteristics (Ta=25°C)

2835 SMD LED	OSR52835	OSY52835	OSG52835	OSB52835	OSM52835	OSW42835
LED P/N	OSR52835	OSY52835	OSG52835	OSB52835	OSM52835	OSW42835
Light Color	Red	Yellow	Pure Green	Blue	Warm White	Pure White
Lens Color	Water Clear	Water Clear	Water Clear	Water Clear	Yellow Diffused	Yellow Diffused
Wavelength*1/Color Temperature*2	620-630nm	585-595nm	520-530nm	455-470nm	2700-3300K	5500-7000K
Luminous Intensity(typ.)*3	1560mcd	1560mcd	4200mcd	1120mcd	7000mcd	8400mcd
Forward Voltage*4	1.8-2.4V	1.8-2.4V	2.8-3.4V	2.8-3.4V	2.8-3.4V	2.8-3.4V
Forward Current	60mA	60mA	60mA	60mA	60mA	60mA
Viewing Angle(typ.)	120°	120°	120°	120°	120°	120°
Quantity(pcs)/Box	20	20	20	20	20	20

*1 Tolerance of measurements of dominant wavelength is ±1nm

*2 Tolerance of measurements of color temperature is ±10%

*3 Tolerance of measurements of luminous intensity is ±15%

*4 Tolerance of measurements of forward voltage is ±0.1V

LED & Application Technologies

