

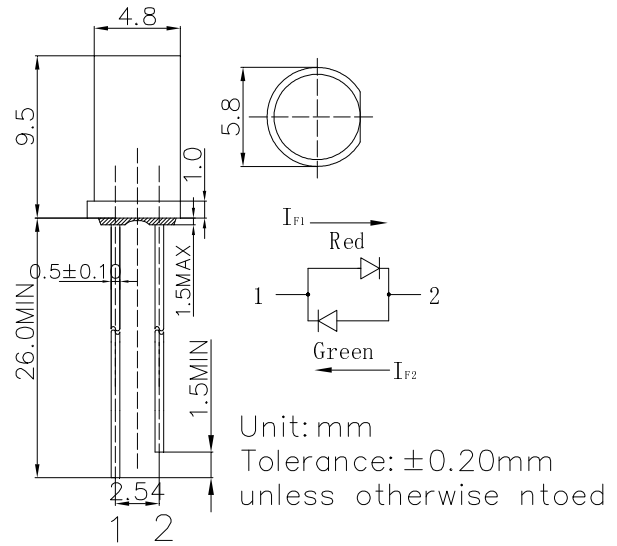
■Features

- High Luminous LEDs
- 5mm Cylinder Standard Directivity
- Long Lifetime Operation
- UV Resistant Epoxy
- Water Clear Type
- Bi-polar Type

■Applications

- Toys
- Audio
- Games
- Other Lighting

■Outline Dimension

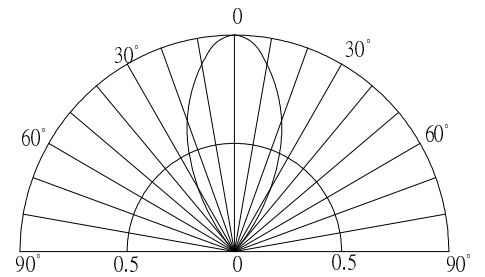


■Absolute Maximum Rating

($T_a=25^\circ\text{C}$)

Item	Symbol	Value		Unit
		Red	Green	
DC Forward Current	I_F	50	30	mA
Pulse Forward Current#	I_{FP}	100	100	mA
Reverse Voltage	V_R	5	5	V
Power Dissipation	P_D	130	102	mW
Operating Temperature	T_{opr}	-30 ~ +85		$^\circ\text{C}$
Storage Temperature	T_{stg}	-40 ~ +100		$^\circ\text{C}$
Lead Soldering Temperature	T_{sol}	260 $^\circ\text{C}$ /5sec		-

■Directivity



#Pulse width Max.10ms Duty ratio max 1/10

■Electrical -Optical Characteristics

($T_a=25^\circ\text{C}$)

Item	Symbol	Condition	Min.	Typ.	Max.	Unit
DC Forward Voltage*1	V_F (Red)	$I_{F1}=20\text{mA}$	-	2.1	2.6	V
	V_F (Green)	$I_{F2}=20\text{mA}$	-	2.9	3.4	V
Domi. Wavelength*2	λ_D (Red)	$I_{F1}=20\text{mA}$	620	625	630	nm
	λ_D (Green)	$I_{F2}=20\text{mA}$	520	525	530	nm
Luminous Intensity*3	I_V (Red)	$I_{F1}=20\text{mA}$	750	1120	-	mcd
	I_V (Green)	$I_{F2}=20\text{mA}$	2180	3000	-	mcd
50%Power Angle	$2\theta_{1/2}$	$I_{F1}=20\text{mA}$	-	50	-	deg

*1 Tolerance of measurements of forward voltage is $\pm 0.1\text{V}$

*2 Tolerance of measurements of Domi. wavelength is $\pm 1\text{nm}$

*3 Tolerance of measurements of luminous intensity is $\pm 15\%$