

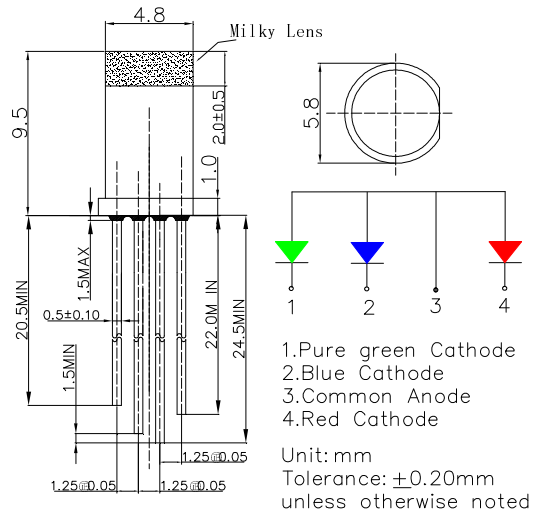
**■Features**

- High Luminous Output
- 5mm Flat Top Standard Directivity
- Water Clear Body with Milky Top Lens
- Common Anode Type

**■Applications**

- Toys
- Games
- Audio
- Other Lighting

**■Outline Dimension**

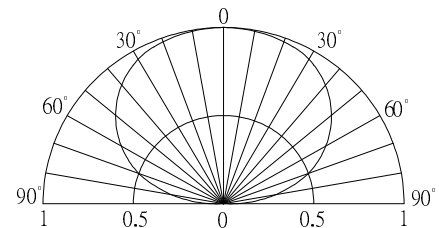


**■Absolute Maximum Rating (Ta=25°C)**

Item	Symbol	Value		Unit
		Red	Green/Blue	
DC Forward Current	$I_F$	30	30	mA
Pulse Forward Current*	$I_{FP}$	100	100	mA
Reverse Voltage	$V_R$	5	5	V
Power Dissipation	$P_D$	78	102	mW
Operating Temperature	$T_{opr}$	-30 ~ +85		°C
Storage Temperature	$T_{stg}$	-40 ~ +100		°C
Lead Soldering Temperature	$T_{sol}$	260°C/5sec		-

\*Pulse width Max.10ms Duty ratio max 1/10

**■Directivity**



**■Electrical -Optical Characteristics (Ta=25°C)**

Item	Symbol	Condition	Min.	Typ.	Max.	Unit
DC Forward Voltage*1	$V_F(\text{R})$	$I_F=20\text{mA}$	-	2.1	2.6	V
	$V_F(\text{B/G})$	$I_F=20\text{mA}$	-	2.9	3.4	V
DC Reverse Current	$I_R$	$V_R=5\text{V}$	-	-	10	$\mu\text{A}$
Domi. Wavelength*2	$\lambda_D(\text{Red})$	$I_F=20\text{mA}$	620	625	630	nm
	$\lambda_D(\text{Green})$	$I_F=20\text{mA}$	520	525	530	nm
	$\lambda_D(\text{Blue})$	$I_F=20\text{mA}$	465	470	475	nm
Luminous Intensity*3	$I_V(\text{Red})$	$I_F=20\text{mA}$	750	1120	-	mcd
	$I_V(\text{Green})$	$I_F=20\text{mA}$	500	750	-	mcd
	$I_V(\text{Blue})$	$I_F=20\text{mA}$	750	1120	-	mcd
50% Power Angle	$2\theta_{1/2}$	$I_F=20\text{mA}$	-	120	-	deg

\*1 Tolerance of measurements of forward voltage is  $\pm 0.1\text{V}$

\*2 Tolerance of measurements of dominant wavelength is  $\pm 1\text{nm}$

\*3 Tolerance of measurements of luminous intensity is  $\pm 15\%$