

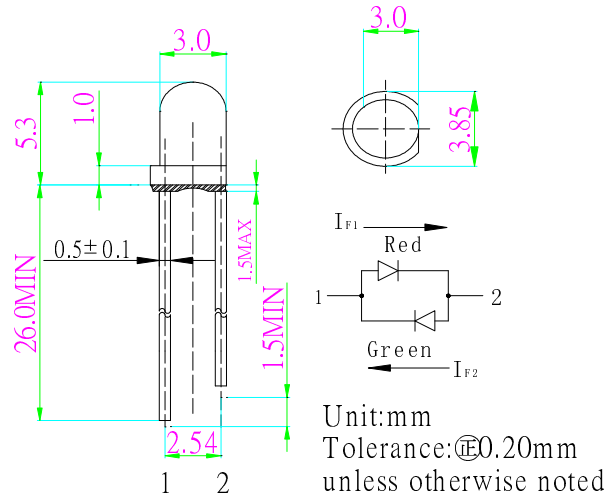
■Features

- High Luminous LEDs
- 3mm Round Standard Directivity
- Long Lifetime Operation
- UV Resistant Epoxy
- White Diffused Type
- Bi-polar AC LED

■Applications

- Toys
- Audio
- Games
- Other Lighting

■Outline Dimension



■Absolute Maximum Rating

(Ta=25°C)

Item	Symbol	Value		Unit
		Red	PG	
DC Forward Current	I _F	30	30	mA
Pulse Forward Current#	I _{FP}	100	100	mA
Reverse Voltage	V _R	5	5	V
Power Dissipation	P _D	78	102	mW
Operating Temperature	Topr	-30 ~ +85		°C
Storage Temperature	Tstg	-40 ~ +100		°C
Lead Soldering Temperature	Tsol	260°C/5sec		-

#Pulse width Max.10ms Duty ratio max 1/10

Item	Symbol	Condition	Min.	Typ.	Max.	Unit
DC Forward Voltage*1	V _F (Red)	I _F =20mA	-	2.1	2.6	V
	V _F (PG)	I _F =20mA	-	2.9	3.4	V
DC Reverse Current	I _R	V _R =5V	-	-	10	μA
Domi. Wavelength*2	λ _D (Red)	I _F =20mA	620	625	630	nm
	λ _D (PG)	I _F =20mA	520	525	530	nm
Luminous Intensity*3	I _v (Red)	I _F =20mA	1560	2180	-	mcd
	I _v (PG)	I _F =20mA	2180	3000	-	mcd
50% Power Angle	2θ _{1/2}	I _F =20mA	-	30	-	deg

*1 Tolerance of measurements of forward voltage is ±0.1V

*2 Tolerance of measurements of dominant wavelength is ±1nm

*3 Tolerance of measurements of luminous intensity is ±15%

■Directivity

