

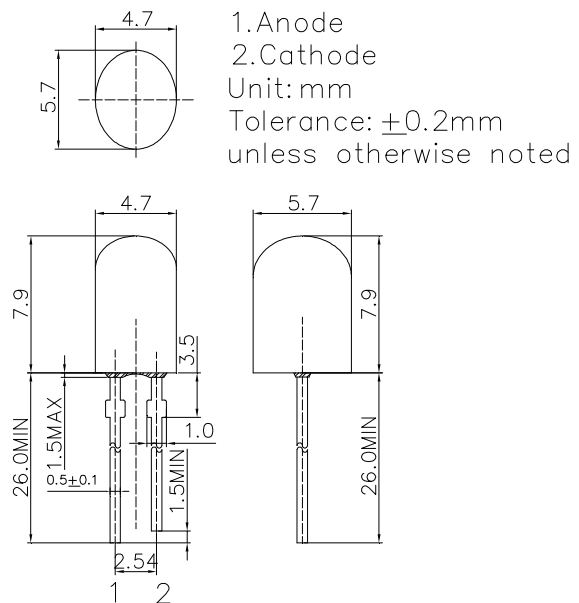
**■Features**

- High Luminous LEDs
- 4.7x5.7mm Standard Directivity
- UV Resistant Epoxy
- Water Clear Type

**■Applications**

- Electronic Signs And Signals
- Small Area Illuminations
- Back Lighting
- Other Lighting

**■Outline Dimension**

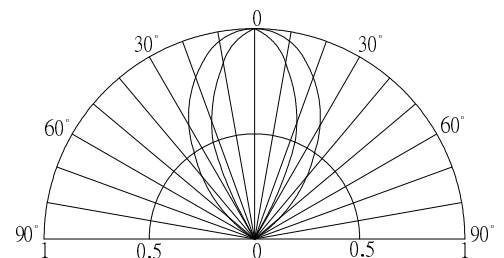


**■Absolute Maximum Rating**

(Ta=25°C)

Item	Symbol	Value	Unit
DC Forward Current	I <sub>F</sub>	50	mA
Pulse Forward Current#	I <sub>FP</sub>	120	mA
Reverse Voltage	V <sub>R</sub>	5	V
Power Dissipation	P <sub>D</sub>	120	mW
Operating Temperature	T <sub>opr</sub>	-30~ +85	°C
Storage Temperature	T <sub>stg</sub>	-40 ~ +100	°C
Lead Soldering Temperature	T <sub>sol</sub>	260°C/5sec	-

**■Directivity**



#Pulse width Max.10ms , Duty ratio max 1/10

**■Electrical -Optical Characteristics**

(Ta=25°C)

Item	Symbol	Condition	Min.	Typ.	Max.	Unit
DC Forward Voltage*1	V <sub>F</sub>	I <sub>F</sub> =20mA	-	2.1	2.4	V
DC Reverse Current	I <sub>R</sub>	V <sub>R</sub> =5V	-	-	10	μA
Domi. Wavelength*2	λ <sub>D</sub>	I <sub>F</sub> =20mA	620	625	630	nm
Luminous Intensity*3	I <sub>v</sub>	I <sub>F</sub> =20mA	4200	5800	-	mcd
50% Power Angle	2θ <sub>1/2</sub>	I <sub>F</sub> =20mA	-	40/70	-	deg

\*1 Tolerance of measurements of forward voltage is  $\pm 0.1$ V

\*2 Tolerance of measurements of dominant wavelength is  $\pm 1$ nm

\*3 Tolerance of measurements of luminous intensity is  $\pm 15$ %