

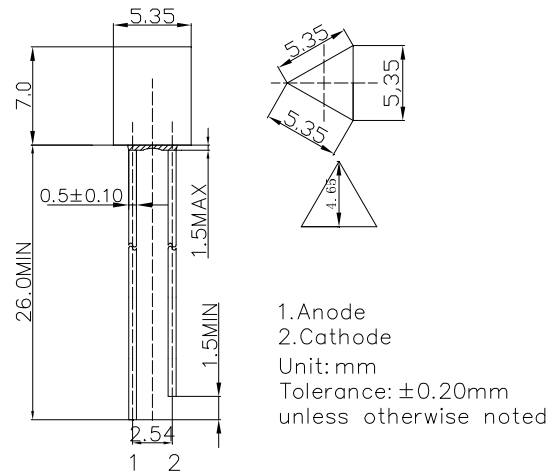
**■ Features**

- High Luminous LEDs
- 5.35mm Triangular Standard Directivity
- UV Resistant Epoxy
- Color Diffused Type
- White Diffused Type only for White LED

**■ Applications**

- Electronic Signs and Signals
- Indications
- Back Lighting
- General Use

**■ Outline Dimension**

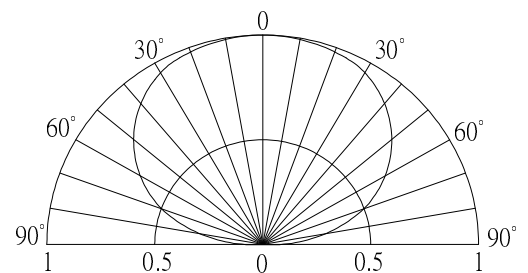


**■ Absolute Maximum Rating**

(Ta=25°C)

Item	Symbol	Value		Unit
		W/M/B/PG	YG/Y/O/R	
DC Forward Current	I <sub>F</sub>	30	30	mA
Pulse Forward Current#	I <sub>FP</sub>	100	100	mA
Reverse Voltage	V <sub>R</sub>	5	5	V
Power Dissipation	P <sub>D</sub>	102	78	mW
Operating Temperature	T <sub>opr</sub>	-30 ~ +85		°C
Storage Temperature	T <sub>stg</sub>	-40 ~ +100		°C
Lead Soldering Temperature	T <sub>sol</sub>	260°C/5sec		-

**■ Directivity**



#Pulse width Max 0.1ms, Duty ratio max 1/10

**■ Electrical -Optical Characteristics**

(Ta=25°C)

Part Number	Color		V <sub>F</sub> (V)*			I <sub>R</sub> (μA)	I <sub>v</sub> (mcd)*			λD(nm)*			2θ1/2(deg)
			Min.	Typ.	Max.	Max.	Min.	Typ.	Max.	Min.	Typ.	Max.	Typ.
			I <sub>F</sub> =20mA			V <sub>R</sub> =5V	I <sub>F</sub> =20mA						
OSW5DK7ZE2B	White	W	-	2.9	3.4	10	750	1120	-	CCT:8000-18000K			140
OSM5DK7ZE2B	Warm White	M	-	2.9	3.4	10	750	1120	-	CCT:2700-3300K			140
OSB5SA7ZE4B	Blue	B	-	2.9	3.4	10	150	220	-	465	460	475	140
OSG5DA7ZE4B	Pure Green	PG	-	2.9	3.4	10	750	1120	-	520	525	530	140
OSG8HA7ZE4B	Yellow Green	YG	-	2.1	2.6	10	45	68	-	565	570	575	140
OSY5JA7ZE4B	Yellow	Y	-	2.1	2.6	10	100	150	-	585	590	595	140
OSO5JA7ZE4B	Orange	O	-	2.1	2.6	10	100	150	-	600	605	610	140
OSR5JA7ZE4B	Red	R	-	2.1	2.6	10	100	150	-	620	625	630	140

\*1 Tolerance of measurements of dominant wavelength is ±1nm

\*2 Tolerance of measurements of chromaticity coordinate is ±10%

\*3 Tolerance of measurements of luminous intensity is ±15%

\*4 Tolerance of measurements of forward voltage is ±0.1V