

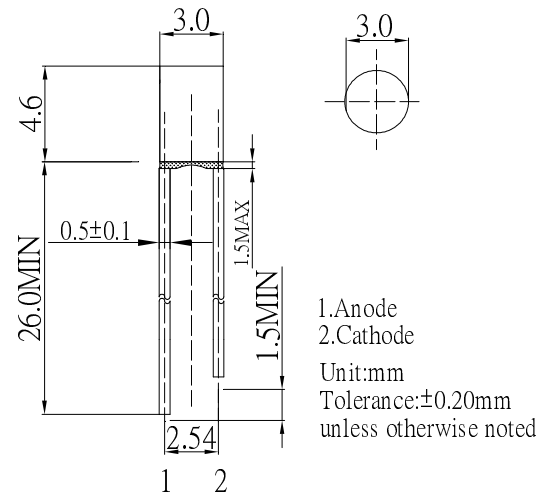
■ **Features**

- High Luminous LEDs
- 3mm Standard Directivity
- Long Lifetime Operation
- UV Resistant Epoxy
- Color Diffused Type (W/M: White Diffused)

■ **Applications**

- Electronic Signs And Signals
- Small Area Illuminations
- Back Lighting/ Other Lighting

■ **Outline Dimension**

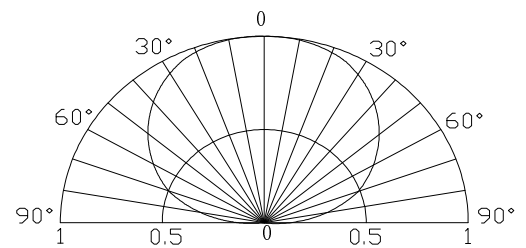


■ **Absolute Maximum Rating**

(Ta=25°C)

Item	Symbol	Value		Unit
		W/M/BL/PG	YG/Y/O/R	
DC Forward Current	I _F	30	30	mA
Pulse Forward Current#	I _{FP}	100	100	mA
Reverse Voltage	V _R	5	5	V
Power Dissipation	P _D	108	78	mW
Operating Temperature	Topr	-30 ~ +85		°C
Storage Temperature	Tstg	-40~ +100		°C
Lead Soldering Temperature	Tsol	260°C/5sec		-

■ **Directivity**



#Pulse width Max.10ms Duty ratio max 1/10

■ **Electrical -Optical Characteristics**

(Ta=25°C)

Part Number	Color		V _F (V)*			I _R (μA)	I _v (mcd)*			W _d (nm)*			2θ1/2(deg)
			Min.	Typ.	Max.	Max.	Min.	Typ.	Max.	Min.	Typ.	Max.	Typ.
			I _F =20mA			V _R =5V		I _F =20mA					
OSW5DK3HE2B	Cool White	W	2.7	2.9	3.4	10	1120	1560	-	8500-18000K(X:0.27,Y:0.28)			140
OSM5DK3HE2B	Warm White	M	2.7	2.9	3.4	10	750	1120	-	2700-3200K(X:0.44,Y:0.41)			140
OSB5SA3HE4B	Blue	BL	2.8	3.1	3.6	10	220	330	-	465	470	475	140
OSG5DA3HE4B	Pure Green	PG	2.8	3.1	3.6	10	750	1120	-	520	525	530	140
OSY5JA3HE4B	Yellow	Y	1.8	2.1	2.6	10	68	100	-	585	590	595	140
OSY5PA3HE4B	Yellow	Y	1.8	2.1	2.6	10	330	500	-	585	590	595	140
OSO5JA3HE4B	Orange	O	1.8	2.1	2.6	10	100	150	-	600	605	610	140
OSO5PA3HE4B	Orange	O	1.8	2.1	2.6	10	330	500	-	600	605	610	140
OSR5JA3HE4B	Red	R	1.8	2.1	2.6	10	68	100	-	620	625	630	140
OSR5PA3HE4B	Red	R	1.8	2.1	2.6	10	330	500	-	620	625	630	140

*1 Tolerance of measurements of chromaticity coordinate is ±10%

*3 Tolerance of measurements of luminous intensity is ±15%

*2 Tolerance of measurements of dominant wavelength is ±1nm

*4 Tolerance of measurements of forward voltage is ±0.1V