

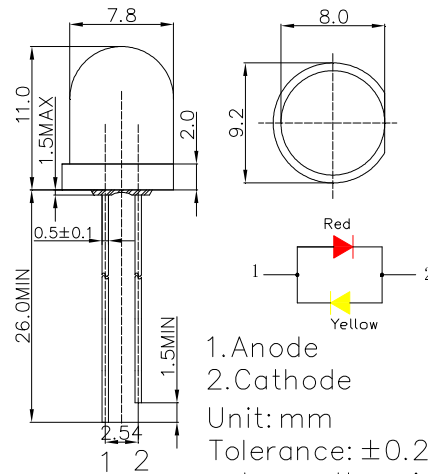
**■ Features**

- High Luminous LEDs
- 8mm Round Standard Directivity
- Long Lifetime Operation
- UV Resistant Epoxy
- Water Clear Type
- Bi-polar Type

**■ Applications**

- Toys
- Audio
- Games
- Other Lighting

**■ Outline Dimension**



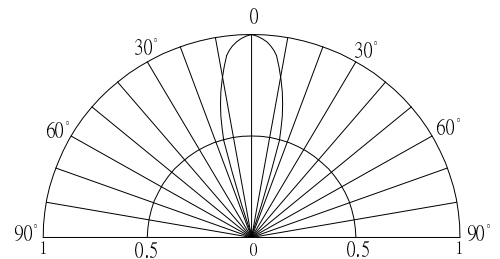
1. Anode  
2. Cathode  
Unit: mm  
Tolerance:  $\pm 0.20$ mm  
unless otherwise noted

**■ Absolute Maximum Rating (Ta=25°C)**

Item	Symbol	Value		Unit
		Red	Yellow	
DC Forward Current	$I_F$	50	50	mA
Pulse Forward Current#	$I_{FP}$	100	100	mA
Reverse Voltage	$V_R$	5	5	V
Power Dissipation	$P_D$	130	130	mW
Operating Temperature	$T_{opr}$	-30 ~ +85		°C
Storage Temperature	$T_{stg}$	-40 ~ +100		°C
Lead Soldering Temperature	$T_{sol}$	260°C/5sec		-

#Pulse width Max.10ms Duty ratio max 1/10

**■ Directivity**



**■ Electrical -Optical Characteristics (Ta=25°C)**

Item	Symbol	Condition	Min.	Typ.	Max.	Unit
DC Forward Voltage*1	$V_F$ (Red)	$I_F=20$ mA	-	2.1	2.6	V
	$V_F$ (Yellow)	$I_F=20$ mA	-	2.1	2.6	V
DC Reverse Current	$I_R$	$V_R=5$ V	-	-	10	$\mu$ A
Domi. Wavelength*2	$\lambda_D$ (Red)	$I_F=20$ mA	620	625	630	nm
	$\lambda_D$ ((Yellow)	$I_F=20$ mA	585	590	595	nm
Luminous Intensity*3	$I_v$ (Red)	$I_F=20$ mA	4200	5800	-	mcd
	$I_v$ (Yellow)	$I_F=20$ mA	4200	5800	-	mcd
50% Power Angle	$2\theta_{1/2}$	$I_F=20$ mA	-	30	-	deg

\*1 Tolerance of measurements of forward voltage is  $\pm 0.1$ V

\*2 Tolerance of measurements of dominant wavelength is  $\pm 1$ nm

\*3 Tolerance of measurements of luminous intensity is  $\pm 15\%$